



WAIMEA E140P TRUCK MOUNTED LIFT



WAIMEA E140P

The Waimea E140P is a versatile 13 m telescopic articulated truck mounted machine. Known for its known for exceptional strength and rigidity and its simple and intuitive controls.

The Waimea E140P truck mounted lift is built to accommodate 2 persons and tools with a

maximum rate capacity of 250 kg.

It is also equipped with precise electro-hydraulic controls—enabling for a very smooth operation and accuracy even at full height and outreach.

The Waimea E140P also has a lateral outreach of 6 m fully loaded, and auto basket leveling.

Its extremely compact dimensions only measures 5.61 m in length, 1.87 m in width, and 3.0 m in stowed height.

13M
WORKING HEIGHT

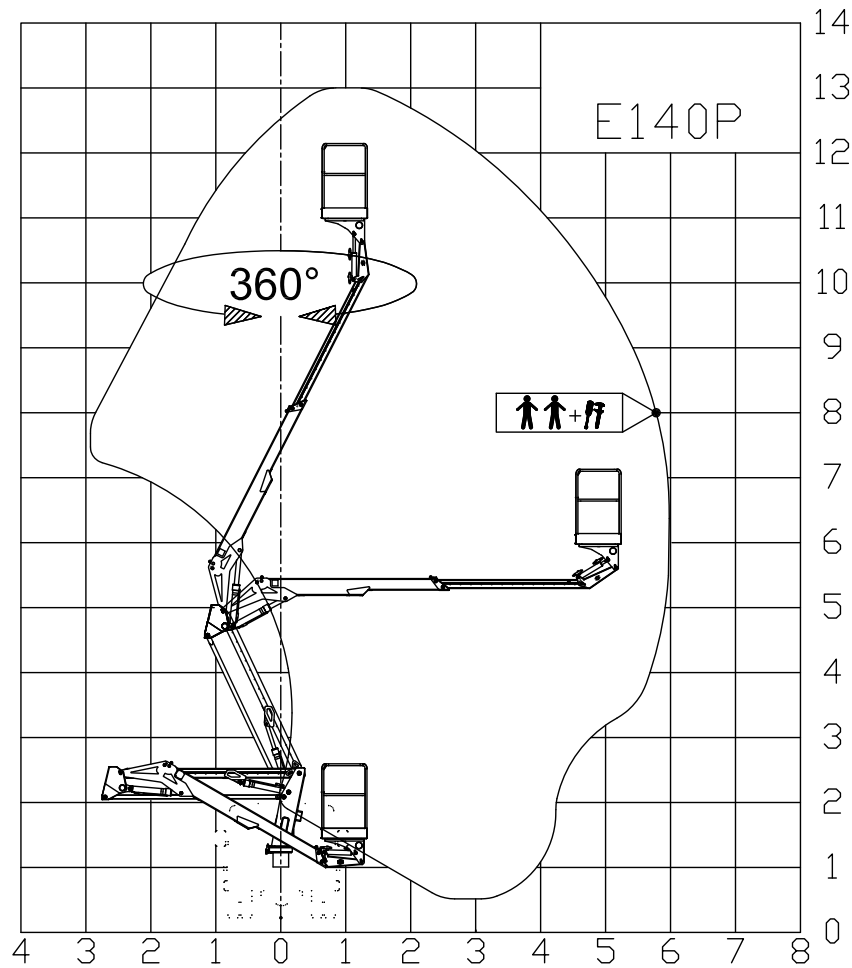




WAIMEA E140P - TRUCK MOUNTED LIFTS

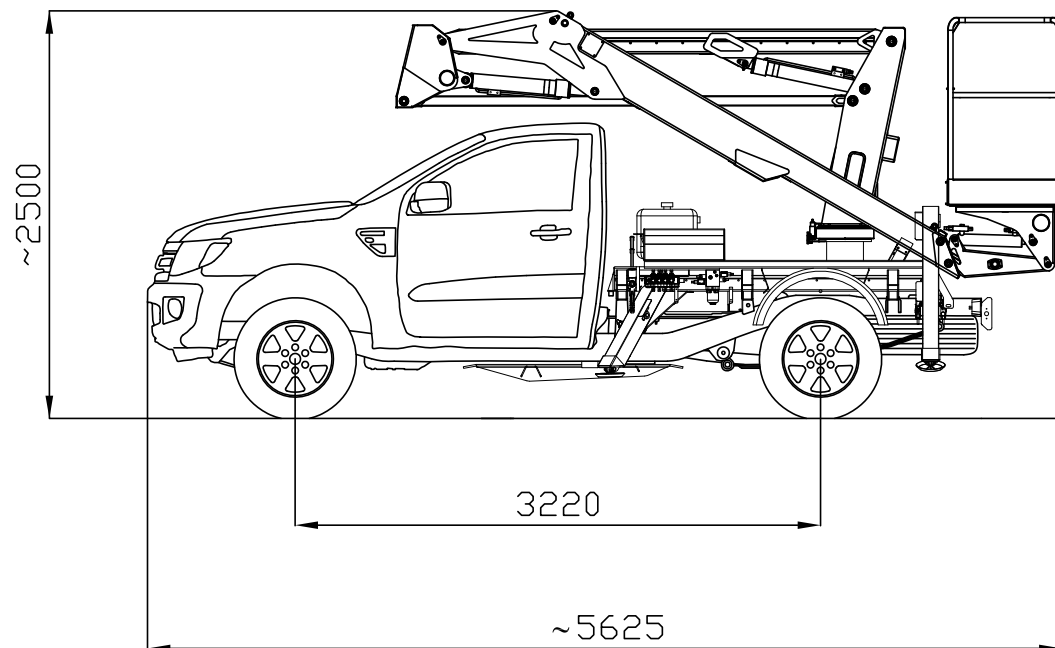


TECHNICAL SPECIFICATIONS



Max working height	13.0 m
Max platform height	
Max horizontal reach	6.0 m
Max. horizontal outreach to edge of basket	
Max. rated capacity	2 persons / 250 kg
Weight (approx)	
Turret rotation	360°
Basket rotation	
Min. Transport Length	
Min. Transport Width	
Min. Transport height	
Standard power source	

(All specs E&OE and subject to change)





WAIMA E140P - TRUCK MOUNTED LIFTS



GET IN TOUCH

For more information, please get in touch with **Bohan Armstrong**.

E: trucks@waimea.net.au

M: 0437 020 599

