

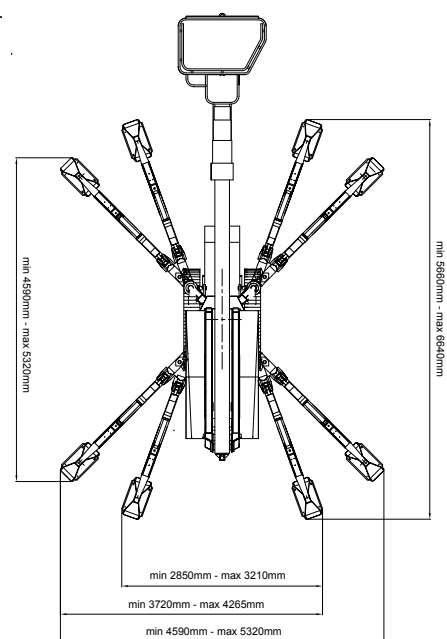
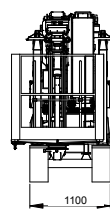
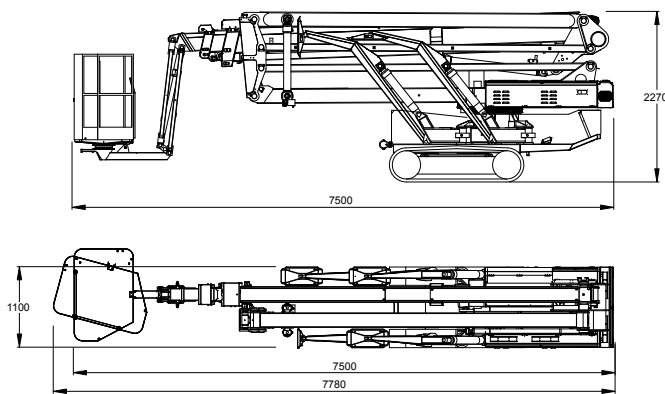
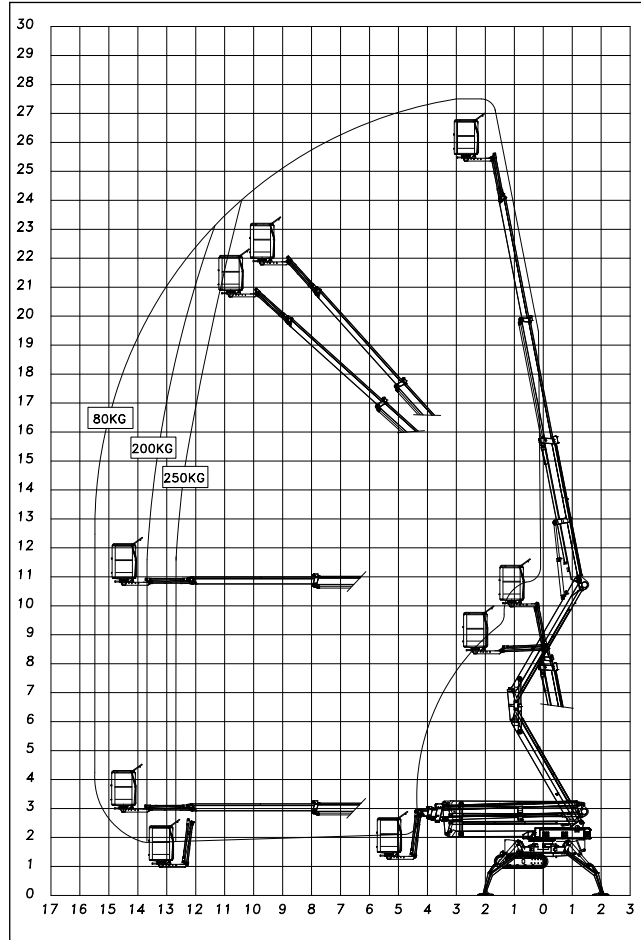
# OMME 2750 RXBDJ KNUCKLE

Max Working Height (m)	27.50
Max Platform Height (m)	25.50
Max working height (m) w/ legs narrow set	26.5
Max Horizontal Working Outreach (m)	15.50
Max Horizontal Outreach to edge of basket (m)	14.90
Lift Capacity / SWL (kg)	250
Weight / Outreach Limited (Yes/No)	Yes
Turret Rotation	710°
Basket Rotation	82°
Length with basket (m)	7.50
Length w/out basket (m)	7 (optional)
Width stowed tracks (m)	1.10
Min Transport Height (m)	2.27 w/ exp tracks (2.19 new models)
Basket Dimensions	1.25 x 0.8
Total Weight (kg)	5100 w/ exp tracks
Max ground pressure tyres/tracks w/ full contact area on hard surface (approx)	78.5 kN/m <sup>2</sup>
Max stabilizer force	31 kN
Max stabilizer pressure with std foot pad	304 kN/m <sup>2</sup>
Gradeability length-wise	35% / 19.3 degrees
Gradeability sideways	35% / 19.3 degrees w/ tracks expanded
Stabilizer set-up dimensions	4.78 min / 5.32 max x 4.78 min / 5.32 max o/o
Narrow set-up dimensions	2.94 min / 3.21 max x 5.91 min / 6.64 max o/o
Max slope for stabilizers	21.8 degrees
Stabilization system	Auto level
Standard Power Source/s	Kubota 20 HP Diesel & 24 Volt Battery System
Optional Power Sources	
Drive system	Tracks
Expanding tracks	Std
Drive speed km/h	
2 Speed Drive	Yes
Remote drive control	Std
Battery voltage	24 / 400 Ah
Basket load control	Boom moment control
Electric & Air outlets in basket	Electric std
Electric emergency lowering	Std

Complies with AS1418.10

(E & OE.)

## SPECIFICATIONS



Battery power + compact dimensions + light weight + soft non-marking rubber tracks = the perfect indoor boom-lift!