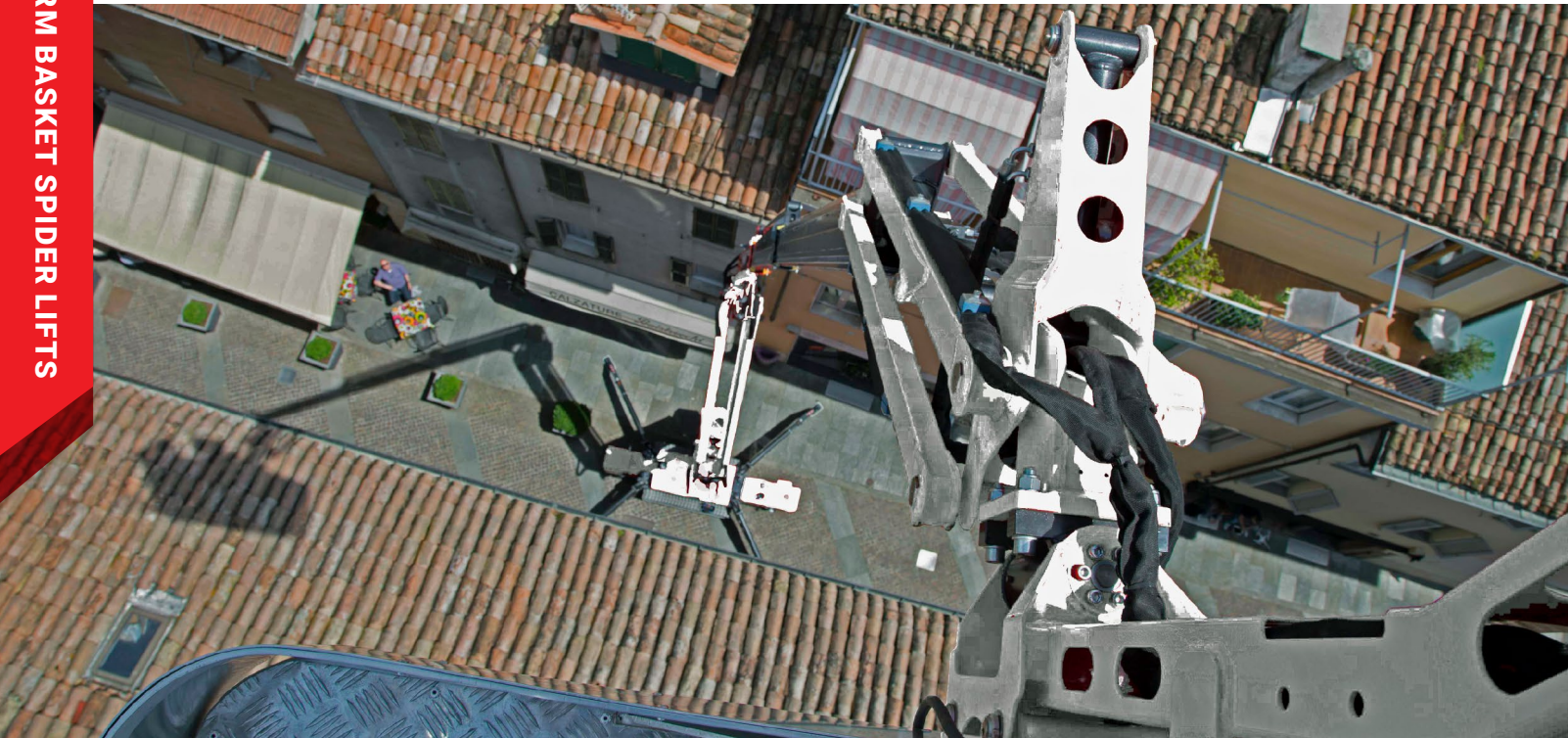


PB2714



The 2210's big brother never ceases to impress with its huge up-and-over outreach. Stowing to an incredible 890 mm wide, this Spider Lift delivers the most reach from the smallest dimensions. An unbeatable machine for confined area access to taller heights.

The tracks expand to 1815 mm for stability off-road, and retract to only 890 mm which allows the 2714 to go anywhere! Uniquely these Spider Lifts can rotate a full

360 degrees even when the legs are set in the narrow position, and up to 15 m of horizontal outreach can be achieved in the wide set position.

Strength and rigidity are a standout feature of this machine. It has to be experienced to believe how stable this platform is, making it ideal for the heavy duty applications, and it's still right at home indoors or on fragile surfaces.

Above left: The 2714 provides huge reach from very compact dimensions.

Above right: Imagine trying to get an 80' boom lift into this job!

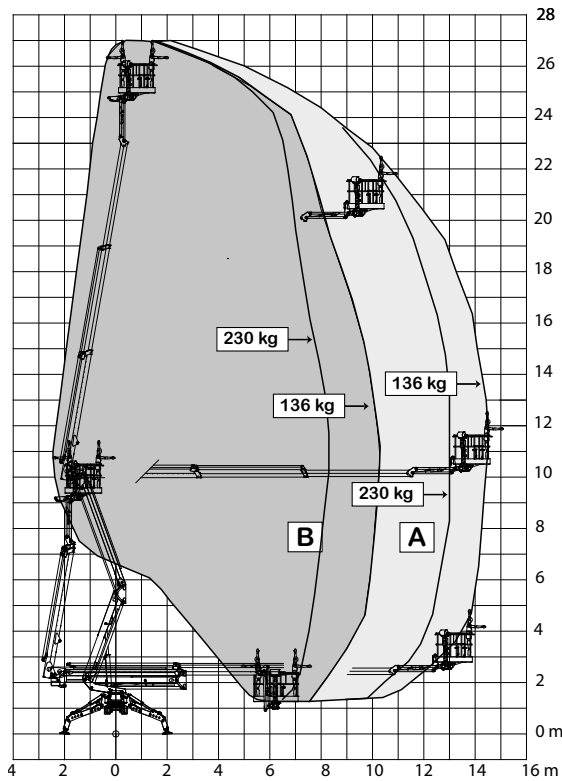
Right: The 2714 in action; a smooth, strong and very stable platform.



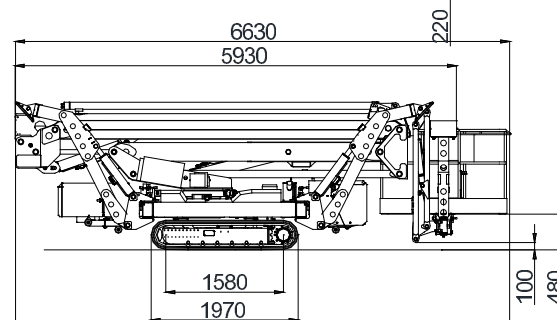
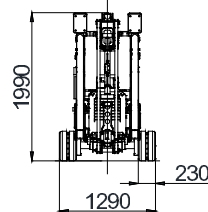
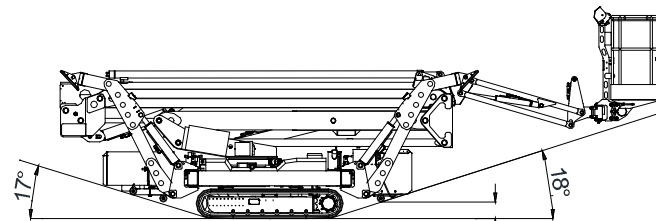
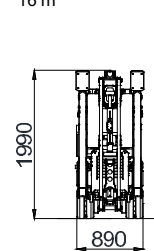
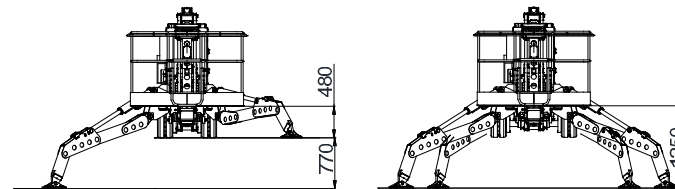
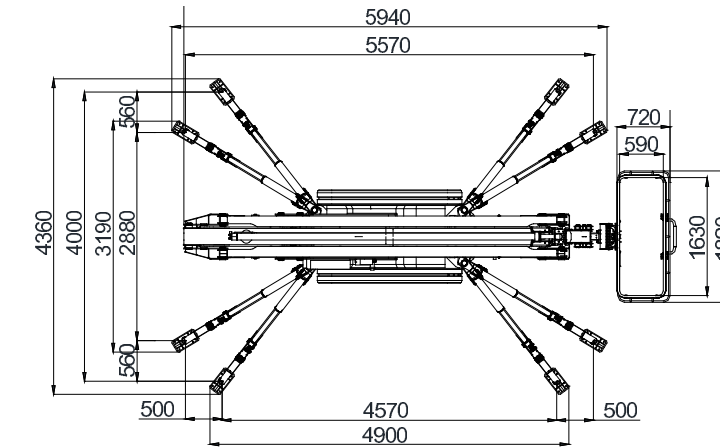
PB2714

Max working height	27.00 m
Max working height in narrow set	27.00 m
Max horizontal outreach	15.10 m
Max SWL	230 kg
Weight: Engine + 240v	5000 kg
: Engine + Batteries	5200 kg
Turret rotation	360 °
Basket rotation	172 °
Ground pressure driving (approx)	kN/m2
Max stabiliser force	34.4 kN
Max stabiliser pressure (std foot pad)	673 kN/m2
Traffic load (live load) travelling	5.42 kN/m2
Traffic load (live load) stabilised wide	2.84 kN/m2
Traffic load (live load) stabilised narrow	2.90 kN/m2
Auto levelling	Std
Max slope for stabilisers (no extra pads)	13 °
Gradeability lengthwise	17 °
Gradeability sideways	12 °
Standard power source	Kubota 22 Hp Diesel
Optional power source	N/A
Dual power options	240V or Batteries
Expanding tracks	Std
Drive Speed	1.8 km/h
Radio control	Std
Electric emergency lowering	Std

(All specs E&OE and subject to change)



— B= Narrow footprint
— A= Wide footprint



SEE THE 2714
IN ACTION

