

PANORAMIC P 40.17



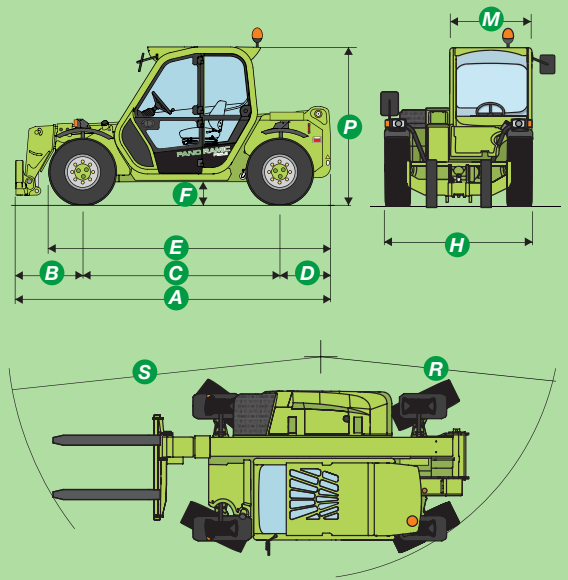
MERLO
AUSTRALIA

KEY SPECIFICATIONS

Total weight unladen with forks (kg)	10350
Maximum load capacity (kg)	4000
Maximum lift height (m)	16.6
Maximum forward reach (m)	12.5
Lift height at maximum capacity (m)	7.2
Forward reach at maximum load capacity (m)	1.9
Load capacity at maximum height (kg)	2000
Load capacity at maximum forward reach (kg)	400
Engine (make/number of cylinders)	Perkins/4
Tier 3 engine power (kW/hp)	74.5/101
Fuel capacity (l)	150
Maximum speed (kph)	40
Load -sensing hydraulic pump (bar-l/min)	210-115
Hydraulic oil capacity (l)	140
Electrical circuit (V)	12
Battery (Ah)	100
Cab compliant with ROPS/FOPS standards	✓
2x1 Hydraulic joystick controls	✓
Tac-Lock hydraulic attachment coupling	✓
Auxiliary boom hydraulics	✓
Two standard forks (1200mm)	✓
Hydrostatic transmission	✓
Finger touch direction control	✓
Inching pedal for precise control	✓
Permanent 4 wheel drive	✓
Four wheel steering	✓
Dry type disc brakes on all wheels	✓
Automatically locking parking brake	✓
405/70-24 tyres	✓
Rear differential lock	✓
Four cab working lights (2f & 2r)	✓
12V electrical on boom head	✓
Air suspension seat	✓
Front window protection	✓
Full size cab with air conditioning	✓
Stability control system, Boom Side Shift	✓



The Merlo Panoramic 40.17 is designed for exactly what is needed on site, a tough reliable tool, easy to use and versatile. The Merlo design gives the advantage of bigger performance in a smaller lighter machine with added flexibility. For added productivity, a large range of optional attachments including buckets, crane hooks, winches, jibs and man platforms add to the versatility of the P40.17. Due to the flexibility and versatility of telehandlers they are usually operational for more hours, giving a higher rate of return, and reduce the need for other machines such as forklifts or front end tractors. The Merlo P40.17 can move **4000 kg** up to **16.7m** height and travel up to **40 kmh**, with the extra benefits of a **full size comfort cab**. The 3 mode steering adds to the ease of operation. You benefit from easy to use versatile equipment, an increase in efficiency and productivity, and the safest telehandler with 50 years of specialist experience.

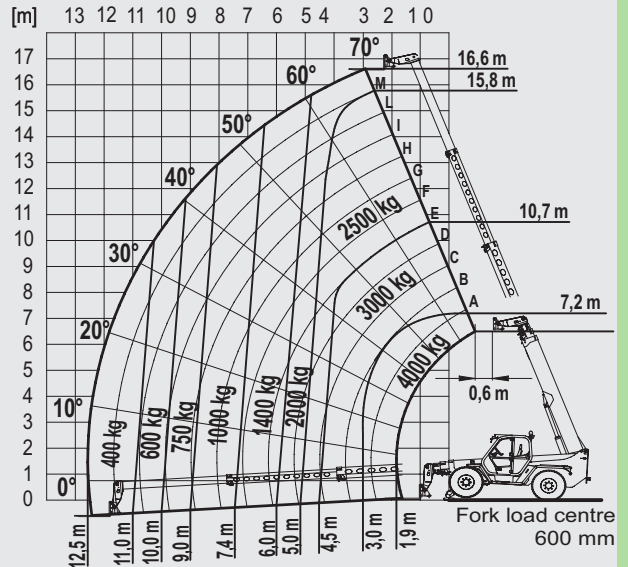


DIMENSIONS

A (mm)	5795
B (mm)	1505
C (mm)	2450
D (mm)	1315
E (mm)	4790
F (mm)	480
H (mm)	2400
M (mm)	995
P (mm)	2510
R (mm)	4050
S (mm)	5110

STABILIZERS DOWN

P40.17 Load Chart - Standard forks



1300 657325
merloaustralia.com.au