

BX50 SERIES

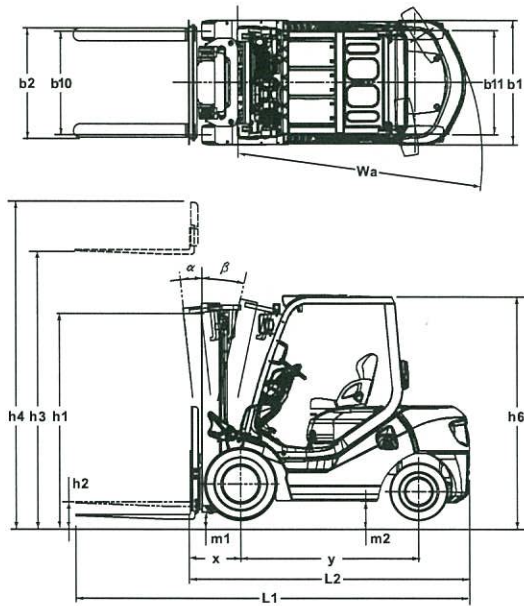
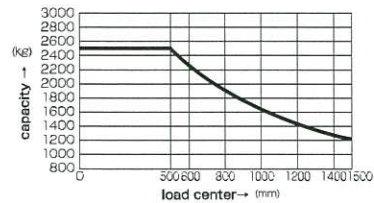
● STANDARD SPECIFICATIONS

	1.2	Model	Manufacturer's Designation	FG25HT-16	FD25HT-16	FD25HC-16		
Characteristics	1.3	Power Type	Electric, Diesel, Gasoline, LPG, Cable	Gasoline	Diesel			
	1.4	Operation Type		Sitting	Sitting			
	1.5	Rated Capacity	Q	kg	2500	2500		
	1.6	Load Center	c	mm	500	500		
	1.6.1	Alternative Capacity	Q ₂	Capacity @600mm Load Center	kg	2260	2260	
	1.8	Load Distance	x	Front Axle Center to Fork Face	mm	465	465	
	1.9	Wheelbase	y		mm	1650	1650	
	Weight	2.1	Service Weight		kg	3590	3680	3725
		2.2	Axle Loading	Loaded	Front	kg	5420	5460
Rear					kg	670	720	730
2.3		Unloaded	Front	kg	1430	1460	1495	
			Rear	kg	2160	2220	2230	
Tyre	3.1	Tyre Type		Pneumatic		Pneumatic		
	3.2	Tyre Size	Front		7.00-12-12PR(I)	7.00-12-12PR(I)		
			Rear		6.00-09-10PR(I)	6.00-09-10PR(I)		
	3.5	Number of Wheels	Front/Rear(x=driven)		2*/2	2*/2		
	3.6	Tread, Front	b ₁₀	mm	965	965		
	3.7	Tread, Rear	b ₁₁	mm	960	960		
	Dimensions	4.1	Tilting Angle	α/β	Forward/Backward	degree	6/12	6/12
4.2		Mast Height, Lowered	h ₁	2-stage Std. Mast	mm	1995	1995	
4.3		Std. Free Lift	h ₂	2-stage Std. Mast from Ground	mm	155	155	
4.4		Std. Lift Height	h ₃	2-stage Std. Mast from Ground	mm	3000	3000	
4.5		Mast Height, Extended	h ₄	2-stage Std. Mast	mm	4050	4050	
4.7		Height, Overhead Guard	h ₅		mm	2070	2070	
4.19		Length, with Std. Forks	L ₁		mm	3655	3655	
4.20		Length, to Fork Face	L ₂		mm	2585	2585	
4.21		Width, at Tyre	b ₁	Single	mm	1150	1150	
4.22		Forks	s/e/l	Thickness/Width/Length	mm	40x122x1070	40x122x1070	
4.23		Fork Carriage Class	ISO 2328, Type A/B/no			Class 2, Type A	Class 2, Type A	
4.24		Width, Fork Carriage	b ₂		mm	1020	1020	
4.31		Ground Clearance	m ₁	Under Mast	mm	115	115	
4.32			m ₂	at Center of Wheelbase	mm	160	160	
4.33		Right Angle Stacking Aisle	Ast	with L1000xW1200 pallet	mm	3775	3775	
4.34	Ast		with L1000xW800 pallet	mm	3905	3905		
4.35	Turning Radius	Wa		mm	2240	2240		
Performance	5.1	Travel Speed (FWD)	Loaded, 1st/2nd	km/h	19.0	18.5	8.0/18.5	
			Unloaded, 1st/2nd	km/h	19.5	19.0	8.5/19.0	
	5.2	Lifting Speed	Loaded	mm/s	620	660		
			Unloaded	mm/s	670	710		
	5.3	Lowering Speed	Loaded	mm/s	450	450		
			Unloaded	mm/s	500	500		
	5.6	Max. Drawbar Pull	Loaded, 1.5km/h, 3min rating	KN	19	22	21	
	5.8	Max. Gradeability	Loaded, 1.5km/h, 3min rating	%	32	37	37	
	5.10	Service Brake	Operation/Control		Foot/Hydraulic	Foot/Hydraulic		
	5.11	Parking Brake	Operation/Control		Hand/Mechanical	Hand/Mechanical		
	5.12	Steering	Type		FHPS	FHPS		
	6.4	Battery	Voltage/Capacity at 5-hour rating	V/ah	12/33	12/64		
I.C. Engine	7.1	Make / Model		NISSAN K25	Komatsu 4D98E			
	7.2	Rated Output, SAE net		KW	42.6@2400	53.0@2400		
	7.3	Rated RPM		min ⁻¹	2400	2400		
	7.3.1	Max. Torque, SAE net		Nm@min ⁻¹	186@1600	216@1700		
	7.4	No. of Cylinders/Displacement		cm ³	4-2488	4-3318		
	7.6	Fuel Tank Capacity		Ltr	58	58		
Others	8.2	Relief Pressure for Attachment		bar	181	181		
	8.6	Clutch			T/C	T/C	Dry	
	8.7	Transmission			TORQFLOW	TORQFLOW	Synchromesh	

T/C: Torque Converter

FG25HT-16, FD25HT-16, FD25HC-16

● CAPACITY CHART



● STANDARD EQUIPMENT

- 3.0mH 2-stage free view mast
- Load backrest
- Dual floating Structure
- Super Lift Hydraulic System
- Soft landing mast system
- Alternator with built-in IC regulator
- Combination switch (turn signal light and light switch)
- Integrated meter panel(Fuel gauge, water temperature gauge, charge warning lamp, hour meter, brake fluid warning lamp, Engine oil pressure gauge, neutral indicator)
- Back-up buzzer
- Auto choke (gasoline)
- New operator's seat with suspension
- Quick auto glow system (diesel)
- Neutral safety mechanism
- Halogen headlight
- Rear combination light

- Cyclone air cleaner
- Engine key stop mechanism (diesel)
- Fully hydrostatic power steering
- Wide angle center mirror

● OPTIONAL EQUIPMENT

- Operator Presence Sensing System (Lifting/Traveling Interlocking Mechanism)
- Steel Cabin
- Protective Resin Head Guard Cover
- Digital Load Checker
- Easy-Replacement Oil Filter
- Mast Tilt angle Meter

BX50 SERIES

● MAST SPECIFICATIONS

2-stage Free View Mast

*mark is the standard mast

Max. Fork Height	Overall Height			Free Lift		Tilting Angle		Capacity at 600mm Load Center			Mast Weight
	Lowered	Extended		Without Load Backrest	With STD Load Backrest	Forward/Backward		500mm Load Center		Capacity at 500mm Load Center	
		Without Load Backrest	With STD Load Backrest			Front Single Tyre	Front Double Tyre	FG(D)25-16, FG(D)25H-16			
		mm	mm					mm	mm		
mm	mm	mm	mm	mm	mm	mm	mm	mm	mm	mm	kg
2500	1745	3185	3555	155					2260	2500	-40
3000*	1995	3680	4050	155					2260	2500	560
3300	2145	3980	4350	155					2260	2500	+24
3500	2245	4180	4550	155					2260	2500	+46
3700	2345	4380	4750	155					2260	2500	+62
4000	2545	4680	5050	155					2260	2500	+130
4300	2695	4980	5350	155					2210	2450	+155
4500	2795	5180	5550	155			6/6	6/12	2210	2450	+170
4700	2945	5380	5750	155					2170	2400	+195
5000	3095	5680	6050	155			6/6		2170	2400	+219

2-stage Full Free View Mast

Max. Fork Height	Overall Height			Free Lift		Tilting Angle		Capacity at 600mm Load Center			Mast Weight
	Lowered	Extended		Without Load Backrest	With STD Load Backrest	Forward/Backward		500mm Load Center		Capacity at 500mm Load Center	
		Without Load Backrest	With STD Load Backrest			Front Single Tyre	Front Double Tyre	FG(D)25-16, FG(D)25H-16			
		mm	mm					mm	mm		
mm	mm	mm	mm	mm	mm	mm	mm	mm	mm	mm	kg
3000	1995	3710	4050	1335	995				2260	2500	700
3300	2145	4010	4350	1485	1145				2260	2500	+25
3500	2245	4210	4550	1585	1245				2260	2500	+40
4000	2545	4710	5050	1885	1545				2260	2500	+120
4500	2745	5210	5550	2135	1795		6/6	6/12	2170	2400	+160

3-stage Full Free View Mast

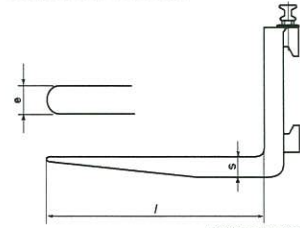
Max. Fork Height	Overall Height			Free Lift		Tilting Angle		Capacity at 600mm Load Center			Mast Weight
	Lowered	Extended		Without Load Backrest	With STD Load Backrest	Forward/Backward		500mm Load Center		Capacity at 500mm Load Center	
		Without Load Backrest	With STD Load Backrest			Front Single Tyre	Front Double Tyre	FG(D)25-16, FG(D)25H-16			
		mm	mm					mm	mm		
mm	mm	mm	mm	mm	mm	mm	mm	mm	mm	mm	kg
3700	1795	4440	4780	1135	795				2260	2500	-35
4000	1895	4740	5080	1235	895				2260	2500	-20
4300	1995	5040	5380	1335	995				2210	2450	895
4500	2070	5240	5580	1410	1070				2210	2450	+15
4700	2145	5440	5780	1485	1145				2170	2400	+30
5000	2245	5740	6080	1585	1245				2120	2350	+45
5500	2445	6240	6580	1785	1445				1990	2200	+80
6000	2645	6740	7080	1985	1645				1810	2000	+150

"Load capacity at 600mm load center reference only"

BX50 SERIES

FG25T-16, FG25C-16, FD25T-16, FD25C-16, FG25HT-16, FD25HT-16, FD25HC-16

● FORK SELECTION

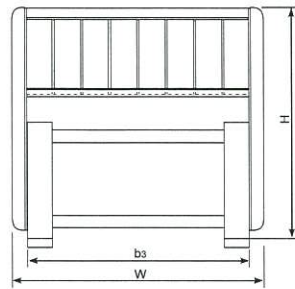


HOOK ON TYPE I
Wt.: Weight of Forks (One Pair) kg

l (mm)	s (mm)	e (mm)	Wt. (kg)
920	40	122	-8
1070*	40	122	100
1150	40	122	+6
1220	40	122	+12
1370	44	122	+32
1520	50	122	+60
1670	50	122	+72
1820	50	122	+82
2000	55	122	+100

*mark is the standard fork

● FORK CARRIAGE AND LOAD BACKREST



FG(D)25-16, FG(D)25H-16

H	W	b3	
		1150	1450
1000	○	□	□
1220	□	□	□
1370	□	□	□

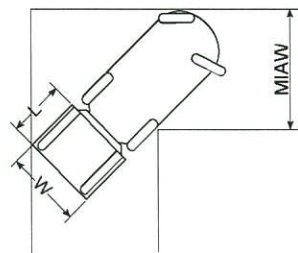
b3: Width of fork carriage
H: Height of load backrest
W: Width of load backrest

Note: ○ Standard
□ Option
Unit: mm

● APPLICABLE TYRE SIZE

		Tyre Size		Rim Size	Tread (mm)	Overall Width (mm)	Additional Weight (kg)
Front	Pneu- matic	Single	7.00-12-12PR	5.00Sx12	965	1150	Std.
		DFT	5.50-15-8PR	4.50Ex15SDC	1150	1515	+95
		SDFT	7.00-12-12PR	5.00Sx12DT	1185	1595	+140
Rear	Elastic cushion matic	Single	7.00-12	5.00Sx12DT	965	1150	+60
		DFT	5.50-15	4.50Ex15SDC	1150	1515	+185
		SDFT	7.00-12	5.00Sx12DT	1185	1595	+250
Rear	Pneu- matic	6.00-9-10PR		4.00Ex9DT	975		Std.
		6.00-9		4.00Ex9DT	975		+32

● MINIMUM INTERSECTING AISLE



● Minimum Intersecting Aisle Width (MIAW)

PALLET SIZE L x W	FG(D)25-16
	FG(D)25H-16
800 x 1000	1995
800 x 1100	1995
1000 x 1000	1995
1000 x 1100	2000
1000 x 1200	2015
1100 x 1000	2010
1100 x 1100	2020
1100 x 1200	2040
1200 x 1000	2035
1200 x 1100	2050

Unit: mm

Aisle Widths shown in this table are not inclusive any operational clearance.

