

“Let us be an asset to your business”

DEMOLITION HAMMER SAFETY SHEET

(Hilti TE3000-AVR)



PERSONAL PROTECTION EQUIPMENT (PPE)



PROTECTIVE GLOVES



HEARING PROTECTION



SAFETY GLASSES



RESPIRATORY PROTECTION



PROTECTIVE HELMET



PROTECTIVE BOOTS

IMPORTANT - CONDUCT A RISK ASSESSMENT

Before you commence any work at your chosen work area, you should undertake some preliminary hazard identification and risk control precautions. Ideally more than one person should do this. This is undertaken by:

1. Physically inspecting the work site
2. Reviewing the best way/job steps required to complete the task
3. Reviewing the Safe Work Information supplied with the equipment
4. Reviewing other reference documentation and expert advice.

The hazard identification and control process steps are defined as:

1. Identify the Hazards (eg. 240V power drill use around wet areas)
2. Assess the Risk (multi earth paths - possible electrocution)
3. Select the Control Measure (e.g. dry the area; use an RCD; use a cordless drill etc)
4. Re-assess the Risk (risk of electrocution now negligible). This is undertaken to ensure that the risk control measures adopted have not introduced any new risks to the work area.

SAFETY INFORMATION

- Wear ear protectors. Exposure to noise can cause hearing loss.
- Use auxiliary handles, if supplied with the tool. Loss of control can cause personal injury. Hold power tool by insulated gripping surfaces, when performing an operation where the cutting accessory may contact hidden wiring or its own cord. Cutting accessory contacting a “live” wire may make exposed metal parts of the power tool “live” and could give the operator an electric shock.
- Use the product only when it is in technically faultless condition. Never tamper with or modify the tool in any way.
- Apply appropriate safety measures at the opposite side of the workpiece in work that involves breaking through. Parts breaking away could fall out and / or fall down causing injury to other persons.
- Check that the side handle is fitted correctly and tightened securely. Always hold the tool securely with both hands on the grips provided. Keep the grips dry, clean and free from oil and grease.
- Take breaks between working and do physical exercises to improve the blood circulation in your fingers. Exposure to vibration during long periods of work can lead to disorders of the blood vessels and nervous system in the fingers, hands and wrists.
- The tool is not intended for use by debilitated persons who have received no special training. Keep the power tool out of reach of children.
- Before beginning the work, check the hazard classification of the dust that will be produced. Use an industrial vacuum cleaner with an officially approved protection classification in compliance with locally applicable dust protection regulations.
- Use a dust removal system and suitable vacuum cleaner whenever possible. Dust from materials, such as paint containing lead, some wood species, concrete/masonry/stone containing silica, and minerals as well as metal, may be harmful.



**PLEASE READ THIS GUIDE CAREFULLY
BEFORE OPERATING THE EQUIPMENT**

HELP AND SUPPORT

If the unit does not operate correctly or you are unhappy with its performance, return it to Asset Construction Hire for an exchange, or phone for assistance. Do not attempt repairs yourself.

Asset Construction Hire
Phone: 1300 361 383 or email: office@assethire.com.au

OPERATION MANUAL

A PDF of the full Operation Manual is available at:
www.assethire.com.au/manuals-specs-safety-sheets/
and must be read before using the equipment.

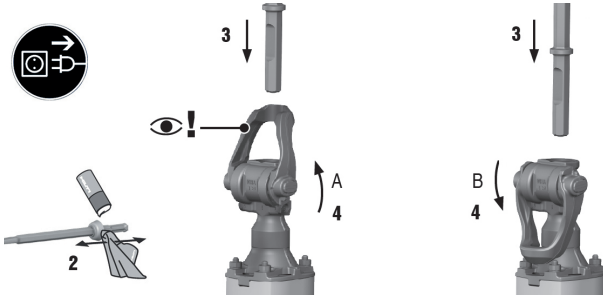
BEFORE OPERATING THE EQUIPMENT:

- Read this Safety Sheet and any other information provided with the equipment, including instructions, decals and operation guidelines.
- Check that you understand how and when to use the equipment, and know how to operate it safely.
- Ensure that it is only used according to the manufacturers and hirer's instructions, and only for work that is compatible with its technical limitations.
- Operate in a clear work area free from nonessential persons, children, animals or hazards.
- Ensure that you have a secure footing and clear access and egress to the work area while on the job.
- Do not operate any equipment if you are tired or suffering any medical condition, or if under the influence of drugs or alcohol which may cause lethargy or dangers to yourself or others.
- Do not use faulty equipment. If in doubt contact Asset Construction Hire.
- Make sure that the workplace is well ventilated and, where necessary, wear a respirator appropriate for the type of dust generated. Contact with or inhalation of the dust may cause allergic reactions and/or respiratory or other diseases to the operator or bystanders. Certain kinds of dust are classified as carcinogenic such as oak and beech dust, especially in conjunction with additives for wood conditioning (chromate, wood preservative). Material containing asbestos may be handled only by specialists.
- Approval must be obtained from the site engineer or architect prior to beginning the work. Work on buildings and other structures may influence the statics of the structure, especially when steel reinforcing bars or load-bearing components are cut through.
- Before beginning work, check the working area for concealed electric cables or gas and water pipes. External metal parts of the power tool may give you an electric shock if you damage an electric cable accidentally.
- Check the power tool's supply cord at regular intervals and have it replaced by a qualified specialist if found to be damaged. If the power tool's supply cord is damaged it must be replaced with a specially prepared and approved supply cord available from Hilti Customer Service. Check extension cords at regular intervals and replace them if found to be damaged. Do not touch the supply cord or extension cord if it is damaged while working. Disconnect the supply cord plug from the power outlet. Damaged supply cords or extension cords present a risk of electric shock.
- Dirty or dusty power tools that have been used frequently for work on conductive materials should be checked at regular intervals at a Hilti Service Center. Dust (especially dust from conductive materials) or dampness adhering to the surface of the power tool may, under unfavorable conditions, lead to electric shock.
- Switch the power tool off and unplug the supply cord in the event of a power failure or interruption in the electric supply. This will prevent accidental restarting when the electric power returns.

DEMOLITION HAMMER SAFETY SHEET

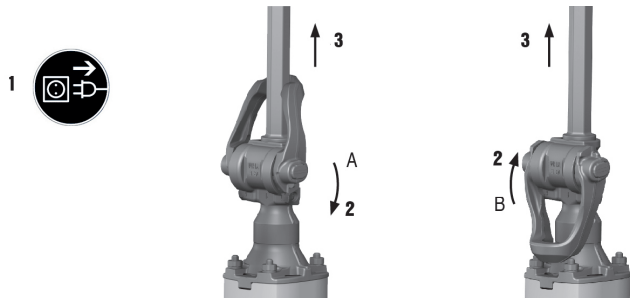
(Hilti TE3000-AVR)

FITTING THE ACCESSORY TOOL



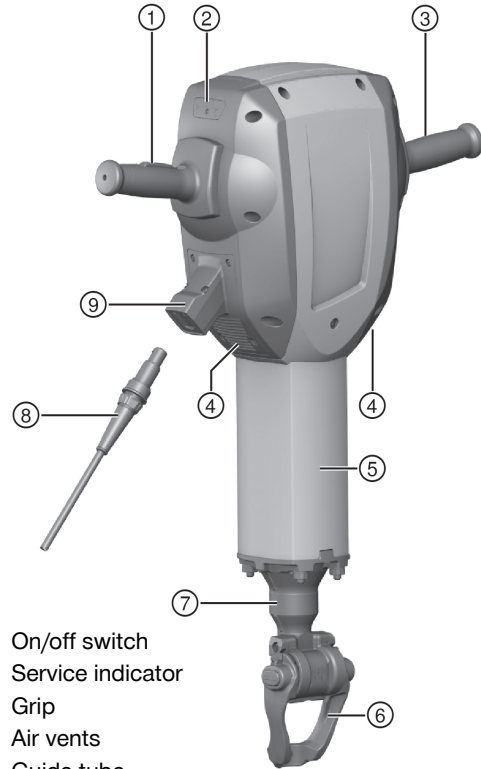
1. Apply a little grease to the connection end of the accessory tool.
2. Open the locking bar.
3. Push the accessory tool into the chuck as far as it will go.
4. For accessory tools with a collar, bring the retaining bar into locking position A.
5. For accessory tools with a locking groove, bring the retaining bar into locking position B. Position the chisel so that the groove is facing locking position B.
6. Check that the chisel has engaged correctly by gripping and pulling it. Insert tools with a combined connection end (with collar and groove) can be locked in position A or B, as desired.

REMOVING THE ACCESSORY TOOL



1. Open the locking bar.
2. Pull the accessory tool out of the chuck.

MAIN COMPONENTS



- ① On/off switch
- ② Service indicator
- ③ Grip
- ④ Air vents
- ⑤ Guide tube
- ⑥ Accessory tool retainer / locking bar
- ⑦ Chuck
- ⑧ Supply cord with keyed, releasable plug connector
- ⑨ Connector on electric tool



- ① Grip
- ② Locking bar
- ③ Holder for accessory tools (chisels)
- ④ Wheels
- ⑤ Wheel securing parts (washer, retaining pin)
- ⑥ Power tool locating pin