

BUILT FOR ROUGH TERRAIN



Maximal Rough Terrain
Forklift 1.8-5.0ton

2WD • Compact 4WD • 4WD

Zhejiang Maximal Forklift Co.,Ltd.

Address No.1,Jinxin Road,Lushan
Industrial area,Fuyang,Zhejiang China
Tel 0086 571 28001566
Fax 0086 571 28001569

Email info@maxforklift.com
For service
service@maxforklift.com
For spare parts
parts@maxforklift.com



All rights reserved.
Any doubt,please contact us.
Website www.maxspecialtruck.com





Maximal Rough Terrain Forklift Introduction

2WD

Strong flexibility
in rough terrain

100% differential lock.



Compact 4WD

Maximal original
product replenished
Rough Terrain fields



4WD

Superior performance
in extreme conditions

Traditional technology while
imported key components:
DANA integrated trans-axle,
Sauer Danfoss hydrostatic
system, tilting cabin.



Patented self-designed axle &
transmission, compact size meet
with European standard.



Maximal Rough Terrain Forklift Introduction

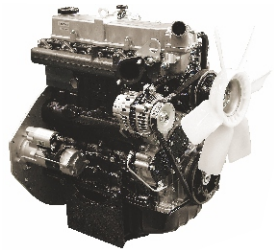
Engine

World renowned brands engine for superior performance.

MITSUBISHI S4S

Rated output 35.3kw/2250rpm >

Rated torque 182N.m/1800rpm >



YANMAR 4TNE98

Rated output 42.1kw/2300rpm >

Rated torque 196.3N.m/1700rpm >



PERKINS 1104C-44TA

Rated output 74.5kw/2300rpm >

Rated torque 415N.m/1350rpm >



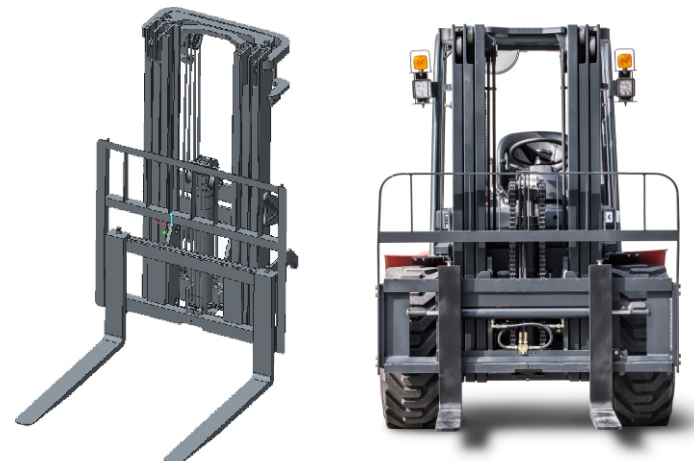
Floating System

A superior full floating overhead guard is installed with rubber damping instead of the traditional rigid design. This greatly reduces machine vibration and offers a smoother ride over rough terrain and reduces operator fatigue.



Wide-view Mast

Wide-view mast provides excellent through-the-mast visibility improving the work efficiency and allowing safe operation of the forklift.



High Quality Tyres

Industrial tyres with a wide footprint giving it greater stability and lift capacity in rough work environments.



High Ground Clearance

Offer greater maneuverability and keep the machine moving in the roughest of applications.



Tilting Overhead Guard (4WD)

Equipped as standard with a tilting overhead guard, to ensure easy access to major components for inspection and service.

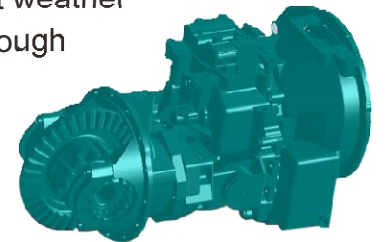
Upward Steering Cylinder (Compact 4WD)

Lay the steering cylinder upward to make the turning radius smaller and rear wheel steering angle bigger.



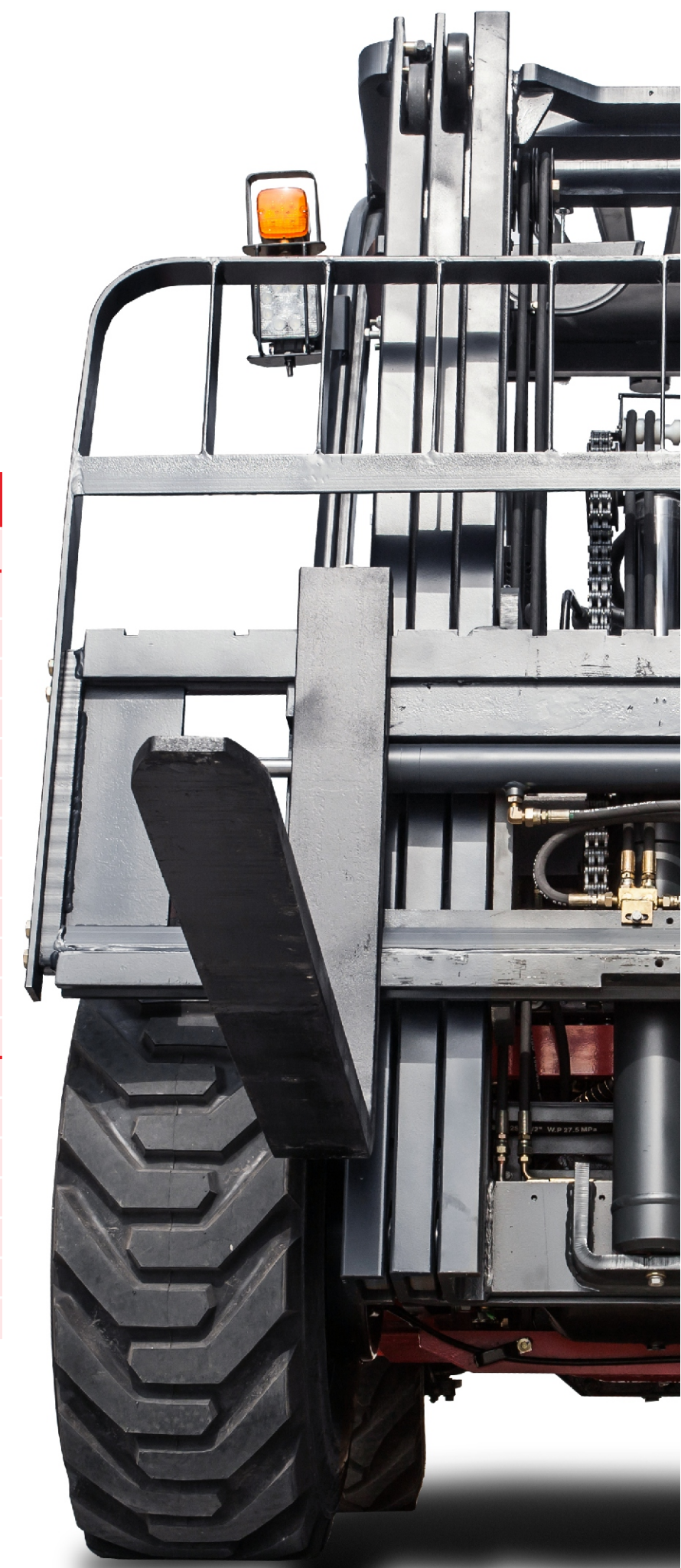
100% Differential Lock (2WD)

Power shift transmission with jaw type 100% differential lock provides ultimate traction during inclement weather conditions and rough operating surfaces.





Our Solution, Your Decision



	2WD					Compact 4WD			4WD			
YES ● / NO ●	1.8T	2.5T	3.5T	4T	5T	1.8T	2.5T	3.5T	2.5T	3.5T		
Body	Floated Overhead Guard										●	
	4WD-2WD Rocker Switch										●	
	Industrial Tyres (F/R)										● / ●	
	Suspension Pedal										●	
	Truck Width (mm)										1450	
	Loaded into 20GP Container										●	
	External Type Steering Cylinder										●	
	With Prefilter										●	
	LED Lights										Standard	
	Safety Start System*										Standard	
	Suspension Seat										Option	
	OPS system										Option	
	Performance	Engine										YANMAR 4TNE98/MITSUBISHI S4S
		Gradeability										20%
Gradient										11.3°		
Min. Turning Radius(mm)										2840		
Transmission Model										Hydraulic		
Differential Lock Type										Jaw Type Differential Lock		
Differential Ratio										100%		
										Hydrostatic		

Safety Start System* The truck can't start if any below: 1-operator leaves the seat, 2-seatbelt unfastened, 3-hand brake released, 4-not in N position.

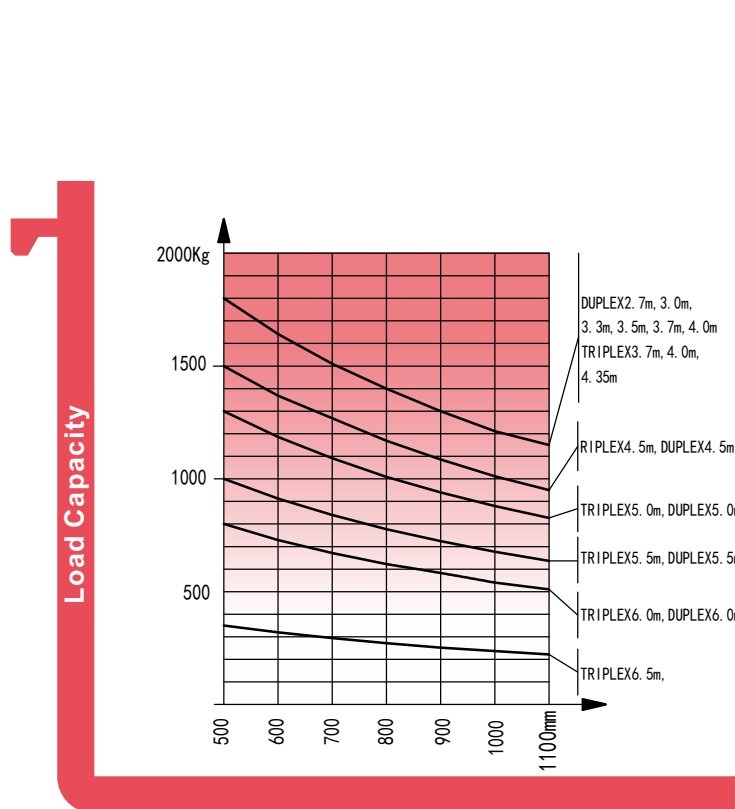
Forklift Specification

2WD 1.8T/2.5T/3.5T									
			2WD	2WD	2WD				
General	1	Model	FD18T-C2WE3	FD25T-C2WE3	FD35T-C2WE3				
	2	Power type	Diesel						
	3	Rated capacity	Kg	1800	2500	3500			
	4	Load centre	mm	500					
Characteristic&Dimension	5	Lifting height	mm	3000					
	6	Height	mm	105	160	165			
	7	Fork size	L×W×T	mm	1070×100×35	1070×122×40	1220×122×45		
	8	Fork regulating range	Min./Max.	mm	200-1000	250-1160	250-1160		
	9	Mast tilt angle	F/R	Deg	10/12				
	10	Front overhang		mm	509	586	601		
	11	Rear overhang		mm	520	520	520		
	12	Min.ground clearance(drive steer axle)		mm	255	270	270		
	13	Overall dimensions	Length to face of fork (without fork)		mm	2990	2946	2956	
	14		Overall width		mm	1450	1557.5	1600.5	
	15		Mast lowered height		mm	2148	2265	2330	
	16		Mast extended height (with backrest)		mm	4170	4175	4305	
	17		Overhead guard height		mm	2260	2256.5	2276	
	18	Turning radius		mm	2840	2870	2870		
	19	Min. right angle stacking aisle width	Pallet size a ₁₂ =1000,b ₁₂ =1200		mm	4760	4860	4870	
			Pallet size a ₁₂ =1200,b ₁₂ =800		mm	4360	4460	4470	
	Performance	20	Speed	Travel(Laden/Unladen)		Km/h	20/18	20/18	22/22
				Lifting(Laden)		mm	610	600	450
				Lowering(Laden)		mm	450	445	500
23		Max. Drawbar pull(Laden)		KN	13	17	17		
24	Max. Gradeability(Laden)		%	20	20	16			
Tyre	25	Tyre	Front			12-16.5-12PR	12-16.5-12PR	14-17.5-14PR	
			Rear			27×10-12-12PR	27×10-12-12PR	27×10-12-12PR	
	27	Tread	Front		mm	1123	1250.5	1250.5	
			Rear		mm	1205			
29	Wheelbase		mm	1880					
Weight	30		Self weight		kg	3960	4465	5180	
	31	Weight Distribution	Laden	Front axle		kg	4954	5990	7725
				Rear axle		kg	806	975	955
			Unladen	Front axle		kg	1584	1785	2070
				Rear axle		kg	2376	2680	3110
35	Battery	Voltage/Capacity		V/Ah	12/90	12/90	12/90		
Power&Transmission	36	Engine	Model		4TNE98-BQFLC				
	37		Manufacture		YANMAR				
	38		Rated output/r.p.m.		Kw	42.1/2300			
	39		Rated torque/r.p.m.		N.m	196.3/1700			
	40		No. of cylinder		4				
	41		Bore×Stroke		mm	98×110			
	42	Displacement		L	3.318				
	43	Fuel tank capacity		L	55				
	44	Manufacture		China					
	45	Transmission	Type		Powershift				
			Stage	F/R		1/1	1/1	1/1	
	46	Operating pressure		Mpa	16.5	20	20		

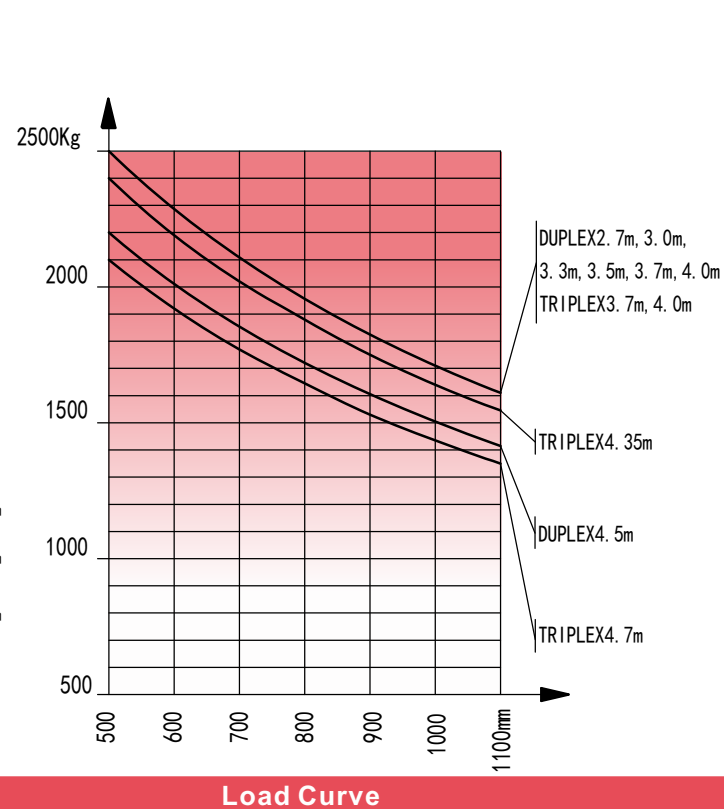
Compact 4WD 1.8T/2.5T/3.5T											
General	1	Model		FD18T-C4WV3	FD25T-C4WV3	FD18T-C4WE3	FD25T-C4WE3	FD35T-C4WE3			
	2	Power type	Diesel								
	3	Rated capacity	Kg	1800	2500	1800	2500	3500			
	4	Load centre	mm	500	500	500	500	500			
Characteristic&Dimension	5	Lifting height		mm	3000	3000	3000	3000			
	6	Free lift		mm	105	160	105	160	165		
	7	Fork size	L×W×T	mm	1070×100×35	1070×122×40	1070×100×35	1070×122×40	1220×122×45		
	8	Fork regulating range	Min./Max.	mm	200-1315	250-1310	200-1315	250-1310	250-1500		
	9	Mast tilt angle	F/R	Deg	10/12						
	10	Front overhang		mm	520	586	520	586	601		
	11	Rear overhang		mm	600						
	12	Min.ground clearance(drive steering axle)		mm	219						
	13	Min.ground clearance(chassis) (Unladen/Laden)		mm	230/215	230/215	230/215	230/215	224/230		
	14	Min.ground clearance(mast) (Unladen/Laden)		mm	275/250	270/255	275/250	270/255	270/250		
	15	Ground clearance (drawbar pin)		mm	354.5	354.5	354.5	354.5	430		
	16	Height from seat surface to overhead guard inner side		mm	990	990	990	990	1043		
	17	Overall dimensions	Length to face of fork (without fork)		mm	3000	3066	3000	3066	3081	
	18		Overall width		mm	1450	1450	1450	1450	1600	
	19		Mast lowered height		mm	2145	2235	2145	2235	2330	
	20		Mast extended height (with backrest)		mm	4140	4175	4140	4175	4305	
	21		Overhead guard height		mm	2256	2256	2256	2256	2276	
	22	Turning radius		mm	3120	3120	3120	3120	3120		
	23	Min. right angle stacking aisle width	Pallet size a ₁₂ =1000,b ₁₂ =1200		mm	4629	4706	4629	4706	4921	
	24		Pallet size a ₁₂ =1200,b ₁₂ =800		mm	4829	4906	4829	4906	4871	
	25	Min. right angle stacking aisle width(pallet size a ₁₂ =1200,b ₁₂ =1200)		mm	2670		2670		2725		
	Performance	26	Speed	Travel(Unladen/Laden)		Km/h	18/17	18/17	20/19	20/19	19/18
		27		Lifting(Unladen/Laden)		mm	620/590	620/570	640/610	650/600	510/485
		28		Lowering(Unladen/Laden)		mm	420/450	510/450	420/450	510/450	500/450
		29	Max. Drawbar pull		KN	31	38	38	38	38	
30		Max. Gradeability		%	60	50	80	50	45		
31		Braking distance		m	≤6		≤6		≤6		
Tyre	32	Tyre	Front			12-16.5-12PR	12-16.5-12PR	14-17.5L-14PR			
			Rear			10.0/75-15.3	10.0/75-15.3	10.0/75-15.3			
	34	Tyre pressure(Front/Rear)		Mpa	0.62/0.55	0.62/0.55	0.55/0.55				
	35	Tread	Front		mm	1123	1123	1250			
			Rear		mm	1190	1190	1190			
	37	Ground clearance (Front tyre centre)(Unladen/Laden)		mm	405.5/385	405.5/385	450.5/425				
38	Ground clearance (Rear tyre centre)(Unladen/Laden)		mm	370/350	370/350	370/385					
39	Wheelbase		mm	1880							
Weight	40		Self weight		kg	4255	4830	4255	4830	5545	
	41	Weight Distribution	Laden	Front axle		kg	4602	6597	4602	6597	7872
				Rear axle		kg	1453	733	1453	733	1073
			Unladen	Front axle		kg	1702	2173	1702	2173	2345
				Rear axle		kg	2553	2657	2553	2657	3100
	45	Battery	Voltage/Capacity		V/Ah	12/90					
Power&Transmission	46	Engine	Model		S4S		4TNE98-BQFLC				
	47		Manufacture		MITSUBISHI		YANMAR				
	48		Rated output/r.p.m.		Kw	35.3/2250		42.1/2300			
	49		Rated torque/r.p.m.		N.m	182/1800		196.3/1700			
	50		No. of cylinder		4		4				
	51		Bore×Stroke		mm	94×120		98×110			
	52	Displacement		L	3.331		3.318				
	53	Fuel tank capacity		L	55						
	54	Manufacture		China		China					
	55	Transmission	Type		Powershift						
			Stage	F/R		2/1	2/1				
	56	Operating pressure		Mpa	16.5	20	16.5	20	20		

Mast Specification

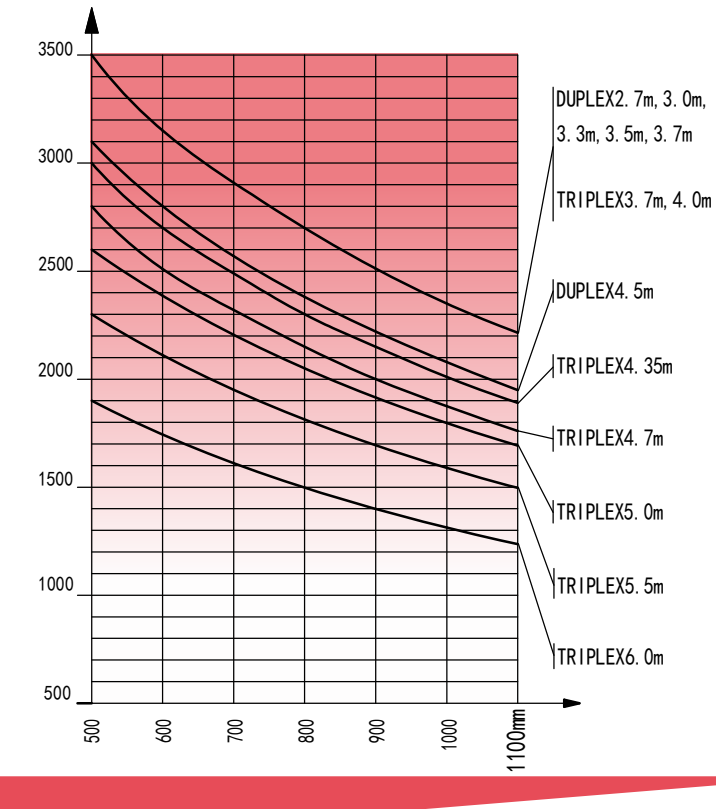
Type	Model	Max. fork height mm	Overall height			Free lift						Front Overhang			Tilt range		Capacity at max. height					
			Lowered			With backrest			Without backrest						FWD	BWD	Loand Center 500mm					
																	Without side shift carriage			With side shift carriage		
			1.8T	2.5T	3.5T	1.8T	2.5T	3.5T	1.8T	2.5T	3.5T	1.8T	2.5T	3.5T	Deg	Deg	1.8T	2.5T	3.5T	1.8T	2.5T	3.5T
wide view 2-stage mast	M270	2700	1998	2085	2180	105	160	165	105	160	165	509	585	600	10°	12°	1800	2500	3500	1800	2500	3200
	M300	3000	2148	2235	2330	105	160	165	105	160	165	509	585	600	10°	12°	1800	2500	3500	1800	2500	3200
	M330	3300	2298	2385	2480	105	160	165	105	160	165	509	585	600	10°	12°	1800	2500	3500	1800	2500	3200
	M350	3500	2398	2485	2580	105	160	165	105	160	165	509	585	600	10°	12°	1800	2500	3500	1800	2500	3200
	M370	3700	2498	2585	2680	105	160	165	105	160	165	509	585	600	10°	12°	1800	2500	3500	1800	2500	3200
	M400	4000	2698	2785	2880	105	160	165	105	160	165	509	585	600	10°	12°	1800	2500	3400	1800	2500	3100
	M450	4500	2948	3035	3130	105	160	165	105	160	165	509	585	600	10°	12°	1500	2200	3100	1400	2100	2900
	M500	5000	3198	---	---	105	---	---	105	---	---	509	---	---	6°	6°	1300	---	---	1200	---	---
	M550	5500	3498	---	---	105	---	---	105	---	---	509	---	---	6°	6°	1000	---	---	900	---	---
M600	6000	3748	---	---	105	---	---	105	---	---	509	---	---	6°	6°	800	---	---	400	---	---	
Full free 3-stage mast	TFM360	3600	1908	---	---	725	---	---	1105	---	---	509	---	---	10°	12°	1800	---	---	1800	---	---
	TFM370	3700	---	1990	2115	---	798	790	---	1243	1246	---	590	620	---	---	---	2500	3500	---	2400	3100
	TFM400	4000	2033	2080	2205	850	888	890	1230	1333	1336	509	590	620	10°	12°	1800	2500	3400	1800	2400	3100
	TFM435	4350	2158	2205	2330	980	1013	1015	1360	1458	1461	509	590	620	10°	12°	1800	2400	3000	1600	2200	2900
	TFM450	4500	2208	---	---	1030	---	---	1410	---	---	509	---	---	10°	12°	1500	---	---	1400	---	---
	TFM470	4700	---	2320	2445	---	1128	1130	---	1573	1576	---	590	620	---	---	---	2100	2800	---	1900	2500
	TFM480	4800	2308	---	---	1130	---	---	1510	---	---	509	---	---	10°	12°	1400	---	---	1300	---	---
	TFM500	5000	2408	2455	2580	1230	1263	1265	1610	1708	1710	509	590	620	6°	6°	1300	1900	2600	1200	1600	2300
	TFM550	5500	2573	2620	2745	1390	1428	1430	1770	1873	1875	509	590	620	6°	6°	1000	1500	2300	900	1200	2100
	TFM600	6000	2758	2805	2930	1580	1613	1615	1960	2058	2060	509	590	620	6°	6°	800	1200	1900	400	800	1600
TFM650	6500	2973	3020	3145	1790	1828	1830	2180	2273	2275	509	590	620	6°	6°	350	700	1300	200	400	1100	



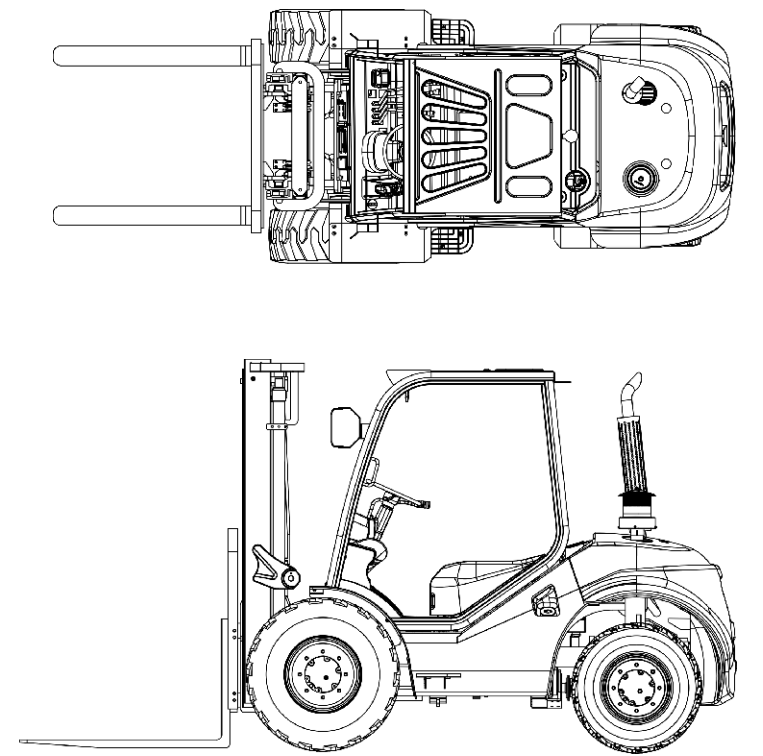
1.8T Load Chart



2.5T Load Chart

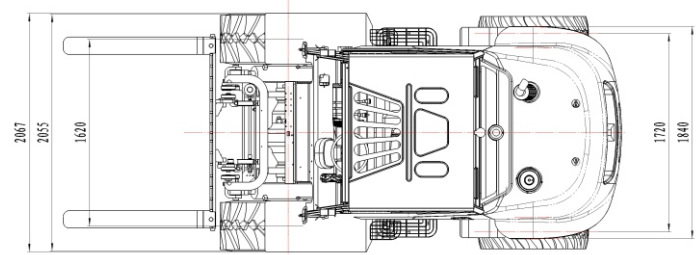
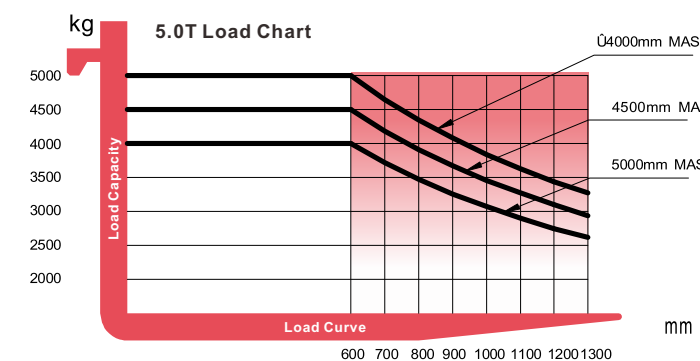
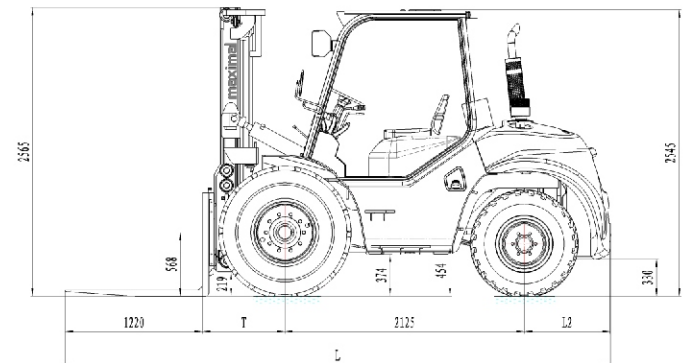
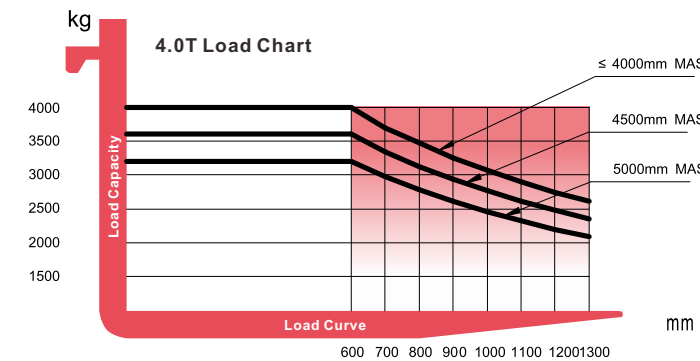


3.5T Load Chart



2WD 4T/5T						
General	1	Model	FD40T-C2WP3	FD50T-C2WP3		
	2	Power type	Diesel	Diesel		
	3	Rated capacity	Kg	4000	5000	
	4	Load centre	mm	600	600	
Characteristic&Dimension	5	Lifting height	mm	3000	3000	
	6	Free lift height	mm	145	145	
	7	Fork size	L×W×T	mm	1220*150*50	1220*150*55
	8	Fork regulating range	Min./Max.	mm	300/1954	300/1954
	9	Mast tilt angle	F/R	Deg	15°/15°	15°/15°
	10	Front overhang		mm	732	732
	11	Rear overhang		mm	764	764
	12	Ground clearance	Middle of frame(Unladen/Laden)	mm	374/354	374/354
	13		Bottom of mast(Unladen/Laden)	mm	320/320	320/320
	14	Length to face of fork(without fork)		mm	3622	3622
	15	Overall dimensions	Overall length(with fork)	mm	4837	4837
	16		Wheel width	mm	2055	2055
	17		Frame width	mm	2067	2067
	18		Mast lowered height	mm	2565	2565
	19		Mast extended height(with backrest)	mm	4170	4170
	20		Overhead guard height	mm	2545	2545
21	Min. turning radius		mm	3550	3550	
Performance	22	Speed	Travel(Unladen/Laden)	Km/h	22/21	22/21
	23		Lifting(Unladen/Laden)	mm/s	570/500	570/500
	24	Pressure	Laden lifting(normal/max)	Mpa	15.6/19	15.6/19
	25		Unladen lifting(normal/max)	Mpa	2.6/19	2.6/19
26	Laden tilting(normal/max)		Mpa	front 1;rear 12/front 19; rear 19		
27	Max. Drawbar pull(Laden/unladen)		KN	50	50	
28	Max. Gradeability(Loaden/unladen)		%	30	30	
Tyre	29	Tyre	Front	445-65-22.5PR/1175		
	30		Rear	12.5/80-18/958		
	30	Tread	Front	mm	1620	1620
	31		Rear	mm	1720	1720
31	Wheelbase		mm	2125	2125	
Weight	32	Self weight		kg	7960	8450
	33	Braking distance		m	≤6	≤6
Power&Transmission	34	Engine	Model	1104C-44T	1104C-44T	
	35		Manufacture	PERKINS	PERKINS	
	36		Rated output/r.p.m.	Kw	74.5/2300	74.5/2300
	37		Rated torque/r.p.m.	N.m	415/1350	415/1350
	38		No. of cylinder		4	4
	39		Bore×Stroke	mm	105×127	105×127
	40	Displacement	L	4.4	4.4	
	41	Transmission	Manufacture	China	China	
	42		Type	Powershift	Powershift	
	43		Stage	F/R	2/1	2/1

Type	Model	Max. fork height	Overall height Lowered	Free lift		Front Overhang		Tilt range		Capacity			
				With backrest	Without backrest	4.0T	5.0T	FWD	BWD	capacity at max. height			
										kg	kg	kg	kg
wide view 2-stage mast	M300	3000	2565	145	145	727	732	15	15	4000	5000	3600	4700
	M330	3300	2715	145	145	727	732	15	15	4000	5000	3600	4700
	M350	3500	2815	145	145	727	732	15	15	4000	5000	3600	4700
	M370	3700	2915	145	145	727	732	15	15	4000	5000	3600	4700
	M400	4000	3115	145	145	727	732	15	15	4000	5000	3600	4700
	M450	4500	3365	145	145	727	732	15	15	3600	4500	3240	4050
Full free 3-stage mast	M500	5000	3615	145	145	727	732	15	15	3200	4000	2800	3600
	TFM400	4000	2560	1000	1350	760	765	15	15	4000	5000	3600	4500
	TFM435	4350	2685	1125	1475	760	765	15	15	3600	4500	3240	4050
	TFM450	4500	2736	1176	1526	760	765	15	15	3200	4000	2880	3600
	TFM470	4700	2802	1242	1592	760	765	15	15	2950	3700	2680	3350
	TFM500	5000	2935	1375	1725	760	765	10	15	2640	3300	2360	2950
TFM540	5400	3060	1500	1850	760	765	10	15	1920	2400	1720	2150	
TFM600	6000	3300	1740	2090	760	765	10	15	1600	2000	1400	1800	

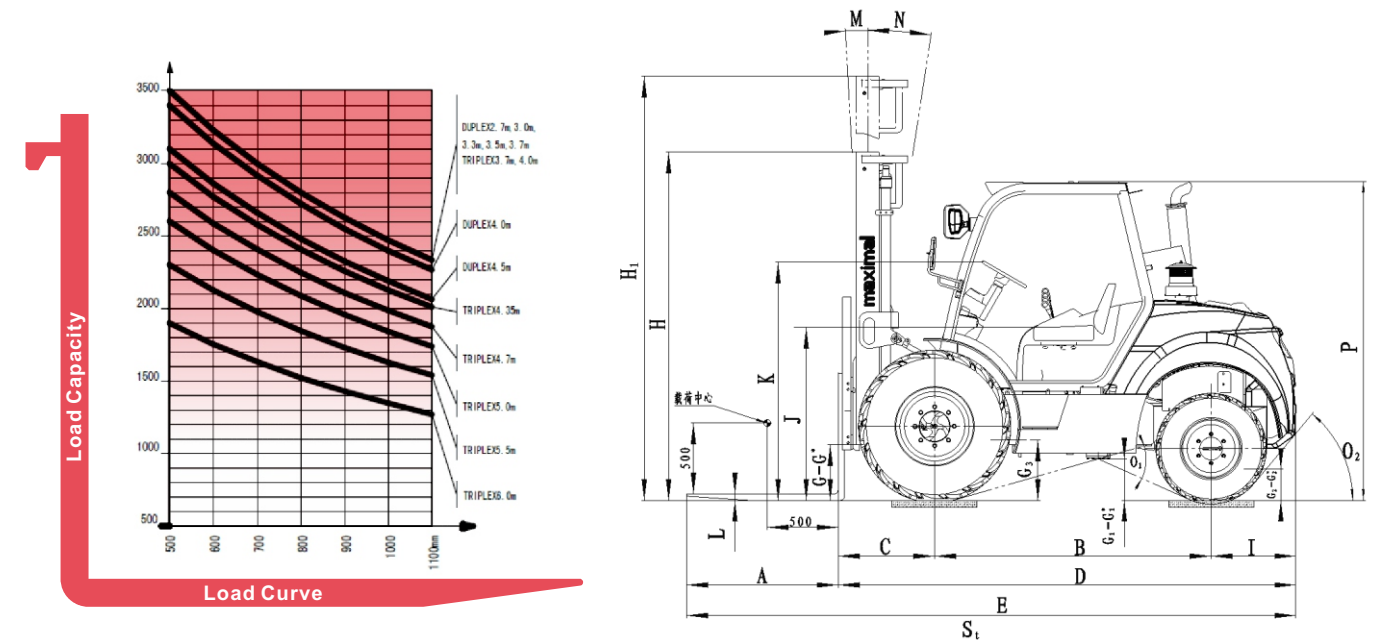
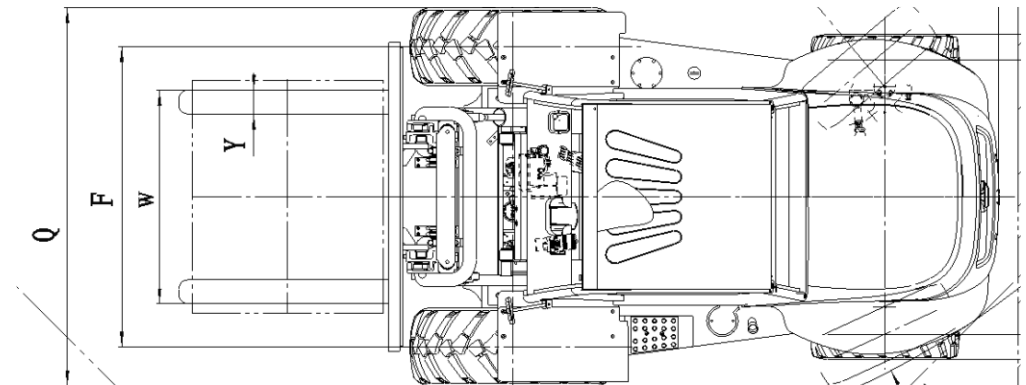


Forklift Specification

Mast Specification

4WD 2.5T/3.5T					
General	1	Model		FD25J-C4WE FD35J-C4WE	
	2	Power type		diesel diesel	
	3	Rated capacity	Kg	2500 3500	
	4	Load centre	mm	500 500	
Characteristic&Dimension	5	Lift height		mm 3000 3000	
	6	Free lift height		mm 160 165	
	7	Fork size	L×W×T	mm 1070×125×40 1220×125×45	
	8	Fork regulating range	Min./Max.	mm 250-1560 250-1560	
	9	Mast tilt angle	F/R	Deg 10/12 10/12	
	10	Front overhang		mm 680 680	
	11	Rear overhang		mm 590 597	
	12	Min. ground clearance		mm 394.5 410	
	Overall dimensions	13	Length to face of fork (without fork)		mm 3182 3227
		14	Overall width		mm 1980 1980
		15	Mast lowered height		mm 2454 2470
		16	Mast extended height (with backrest)		mm 4270 4400
		17	Overhead guard height		mm 2250 2250
	18	Min. turning radius		mm 4275 4295	
	19	Min. right angle stacking aisle width(add load length and clearance)		mm 8375 8395	
	Performance	20	Speed	Travel(Unladen)	Km/h 20 20
		21		Lifting(Laden)	mm/s 540 450
		22		Lowering(Laden)	mm/s 630 540
		23	Max. Drawbar pull(Laden/unladen)		KN 34.3 34.3
24		Max. Gradeability(Loaden)		% 38 38	
Tyre	25	Tyre	Front	405/70-20-14PR 405/70-20TL	
			Rear	10.0/75-15.3-14PR 10.0/75-15.3	
	26	Tread	Front	mm 1570 1570	
			Rear	mm 1440 1440	
27	Wheelbase		mm 1950 1950		
Weight	28		Self weight	kg 4900 5750	
	29-32	Laden	Weight Distribution	kg 6290 7990	
			kg 1110 1260		
		Unladen	kg 2265 2450		
			kg 2635 3300		
Power&Transmission	33	Battery	V/Ah	12/90	
	34	Model		4TNE98-BQFLC	
	35	Manufacture		YANMAR	
	36	Rated output/r.p.m.	Kw	42.1/2300	
	37	Rated torque/r.p.m.	N.m	196.3/1700	
	38	No. of cylinder		4	
	39	Bore×Stroke		mm 98×110	
	40	Displacement		L 3.319	
	41	Fuel tank capacity		L 3.319	
	42-46	Transmission	Manufacture		DANA
			Type	Front axle	112
Rear axle				211	
Transfer case				311	
46	Stage	F/R	1/1		
47	Static system pressure		Mpa 40		
48	Operating pressure(For attachments)		Mpa 20		
49	Min. right angle stacking aisle width		mm 2980 3000		

Type	Model	Overall height		Free lift				Front Overhang		Tilt range		Capacity			
		Lowered		With backrest		Without backrest		2.5T	3.5T	FWD	BWD	capacity at max. height			
		2.5T	3.5T	2.5T	3.5T	2.5T	3.5T					Without side shift carriage		With side shift carriage	
mm	mm	mm	mm	mm	mm	mm	mm	Deg	Deg	kg	kg	kg	kg		
wide view 2-stage mast	M270	2320	2320	165	165	165	165	700	700	10	12	3500	3500	3200	3200
	M300	2470	2470	165	165	165	165	700	700	10	12	3500	3500	3200	3200
	M330	2620	2620	165	165	165	165	700	700	10	12	3500	3500	3200	3200
	M350	2720	2720	165	165	165	165	700	700	10	12	3500	3500	3200	3200
	M370	2820	2820	165	165	165	165	700	700	10	12	3500	3500	3200	3200
	M400	3020	3020	165	165	165	165	700	700	10	12	3400	3400	3100	3100
	M450	3270	3270	165	165	165	165	700	700	10	12	3100	3100	2900	2900
Full free 3-stage mast	TFM370	2255	2255	798	798	1243	1243	700	700	10	12	3500	3500	3100	3100
	TFM400	2345	2345	888	888	1333	1333	700	700	10	12	3500	3500	3100	3100
	TFM435	2470	2470	1013	1013	1458	1458	700	700	10	12	3000	3000	2900	2900
	TFM470	2605	2605	1128	1128	1573	1573	700	700	10	12	2800	2800	2500	2500
	TFM500	2720	2720	1263	1263	1708	1708	700	700	6	6	2800	2800	2500	2500
	TFM550	2885	2885	1428	1428	1873	1873	700	700	6	6	2500	2500	2300	2300
	TFM600	3070	3070	1613	1613	2058	2058	700	700	6	6	2100	2100	1800	1800



3.5T Load Chart