

**DINGLI**  
*Exceed · New Height*

# NEW BOOM LIFTS



[www.cndingli.com](http://www.cndingli.com)

## NEW BOOM LIFTS

Zhejiang Dingli New Boom Lifts Series includes 14 types in the whole series, among which 7 types are electric(Lithium Battery) drive boom lifts and 7 types are engine drive boom lifts. The boom lifts are developed with the same platform. The whole series uses the components moving down design, adhere to the family modular concept, relies on the performance guarantee of a series of high-end configuration such as American DANA spicer axle, Germany Bosch Rexroth high pressure driveline system and Danish Danfoss PVG hydraulic control system, which are the world's leading technology. They have many advantages such as **Heavy Load, Strong Power, High Chassis, Easy Maintenance, High Energy Saving, More Environmentally Friendly, Great Endurance Ability, Easy Transportation, Stable Control, Safer, etc.** Can be competent for all kinds of complex and severe limit working conditions!



**DINGLI**  
*Exceed · New Height*

# NEW BOOM LIFTS



Totally 14 Types ( Engine 7 Types + Electric 7 Types )

		24.8m	26.3m	26.7m	28.6m	30.3m		24.3m	28.1m
Engine	Telescopic								
		BT24RT	BT26RT	BT26SRT	BT28RT	BT30RT		BA24RT	BA28RT
Electric	Telescopic								
		BT24ERT	BT26ERT	BT26SERT	BT28ERT	BT30ERT		BA24ERT	BA28ERT
	Articulating								

## “Family Modular Design”

- ① 90% main components are common;
- ② More than 95% structural parts are common;
- ③ To maximize the convenience of manufacturing plant automation and mass production arrangements;
- ④ Reduced the components purchase cost and storage cost of the leasing companies;
- ⑤ Improve the efficiency of equipment maintenance and repair. for leasing companies.

# Advantages



## Heavy Load

The whole series of telescopic boom lifts max. load 454kg (Full height travel), articulating boom lifts max. load 300kg (Full height travel), the load capacity is greater.



## High Chassis

The whole series is equipped with large wheel hub, tire diameter of 108cm, chassis clearance of 41cm, compared with the traditional boom lifts, better passability.



## Strong Power

Equipped with a special axle for aerial working platforms, it can meet the requirements of 4WD, and the gradeability is up to 45% (Engine type); Equipped with 100% hydraulic differential lock system, even if three wheels slip, start differential lock system can still go forward, rough-terrain performance is stronger.



## Stable Control

The whole series adopt the whole component to move down design, the center of gravity is lowered, cooperate with the special intelligent control system, making the whole machine more stable, the operation is more stable.



## Easy Transportation

The whole series not only can be transported by basic flatbed truck, but also can be shipped in regular container (40HQ).



## High Energy Saving

The engine type is equipped with ECO green energy saving system, which can control engine speed intelligently, supply oil on demand, heat dissipation according to temperature, and save energy.

# Advantages

**DINGLI**  
*Exceed · New Height*



## Great Endurance Ability

The electric type whole series is equipped with 520AH/80V high-capacity lithium battery, with greater endurance ability.



## More environmentally friendly

The full range of electric models are equipped with dedicated electric drive axles, using batteries as the power source, with low noise, zero emissions, no pollution, and more environmentally friendly.



## Easy Maintenance

The Whole Series Adopts The Family Modular Design, 90% Main Components Are Common, More Than 95% Structural Parts Are Common. Only Need To Repair 1 Model, The Whole Series Of Models Are Covered; Only Need To Purchase 1 Set Of Components, The Whole Series Of Models Are All Universal. The Electric Model Is Equipped With A Five-year Warranty Without Maintenance Lithium Battery, Which Greatly Reduces The Cost Of Engine Maintenance And Diesel Addition.

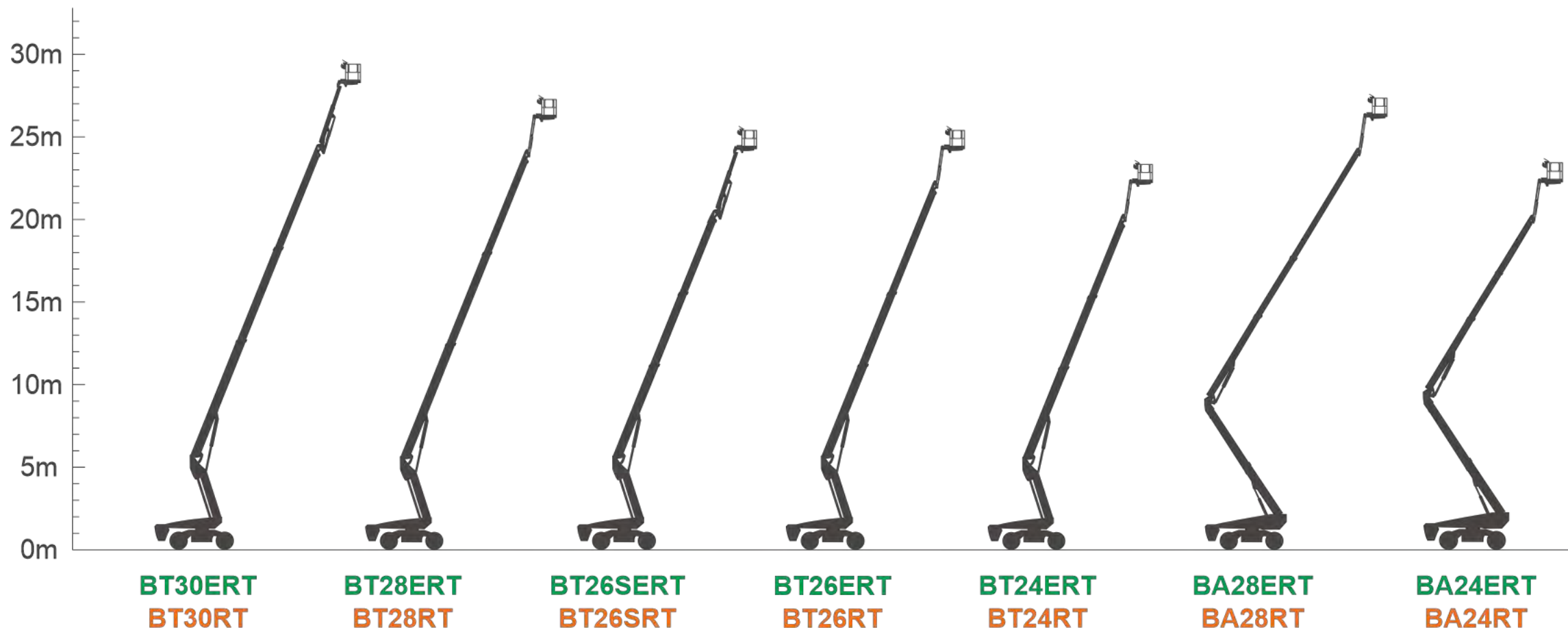


## Safer

The whole series is equipped with the dual sensing system, intelligent anti-extrusion system, intelligent safety valve protection system, etc. Which is more secure. The boom of the product is used of the Q960 special steel plate. Which is more secure. The maintenanc-free lithium battery of the electric type is equipped with BMS battery management system to ensure the equipment electricity safety.



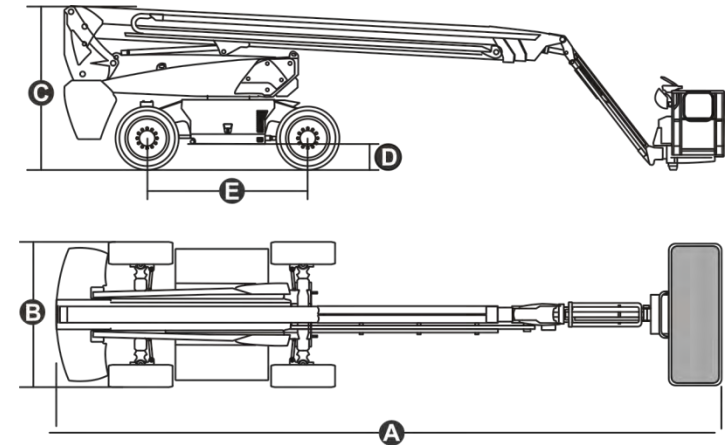
# Working Height







# Parameters

Model	 =Electric	<b>BT30ERT</b> <b>BT30RT</b>	<b>BT28ERT</b> <b>BT28RT</b>	<b>BT26SERT</b> <b>BT26SRT</b>	<b>BT26ERT</b> <b>BT26RT</b>	<b>BT24ERT</b> <b>BT24RT</b>	<b>BA28ERT</b> <b>BA28RT</b>	<b>BA24ERT</b> <b>BA24RT</b>
	 =Engine							
Type	Telescopic Boom Lifts					Articulating Boom Lifts		

Size							
Max. Working Height	30.30m	28.60m	26.70m	26.32m	24.80m	28.10m	24.30m
Max. Platform Height	28.30m	26.60m	24.70m	24.32m	22.80m	26.10m	22.30m
Max. Horizontal Reach	22.70m	21.30m	19.20m	19.47m	17.30m	18.80m	16.50m
Overall Length(Stowed) <b>A</b>	12.25m	11.66m	10.83m	10.82m	10.25m	11.83m	9.83m
Overall Length(Transport)	11.96m	11.82m	11.12m	10.77m	10.81m	12.03m	10.03m
Overall Width(Stowed) <b>B</b>	2.50m						
Overall Width(Transport)	2.31m						
Overall Height(Stowed) <b>C</b>	2.89m						
Overall Height(Transport)	2.57m						
Platform Size(Length×Width)	2.44m×0.9m						
Turntable Tailswing	1.61m						
Ground Clearance <b>D</b>	0.41m						
Wheelbase <b>E</b>	2.8m						
Turning Radius(Inside/Outside)	1.87m/3.22m						
Tyres	385/45-28						
Up And Over Clearance						9.14m	
Max. Down Probing Depth						6.61m	4.03m



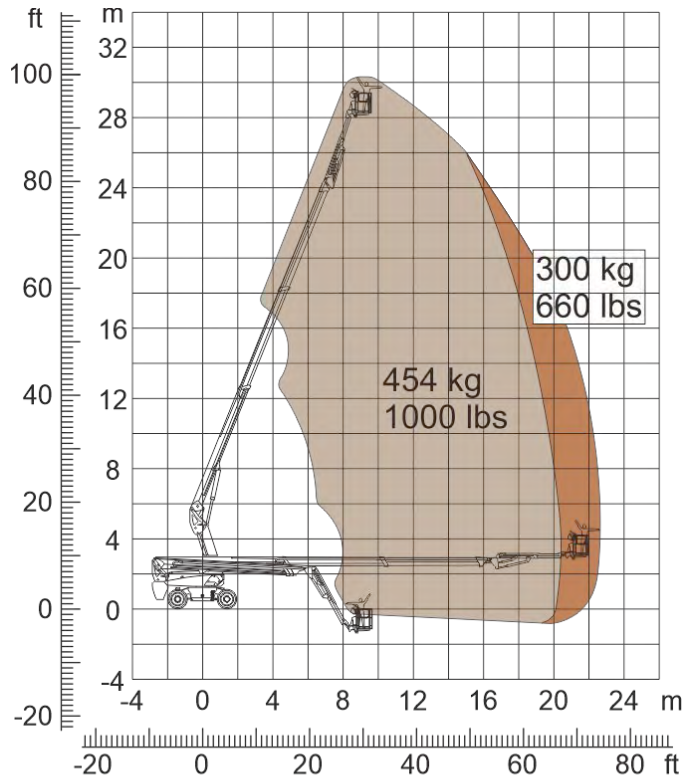
# Parameters

Model	 =Electric  =Engine	BT30ERT BT30RT	BT28ERT BT28RT	BT26SERT BT26SRT	BT26ERT BT26RT	BT24ERT BT24RT	BA28ERT BA28RT	BA24ERT BA24RT
Type	Telescopic Boom Lifts						Articulating Boom Lifts	
<b>Performance</b>								
S.W.L(Unrestricted/Restricted)	300kg/454kg	454kg				250kg	300kg	
Max. Occupants	3						2	
Gradeability	30% 45%	30% 45%	30% 45%	30% 45%	30% 45%	30% 45%	30% 45%	
Travel Speed(Stowed)	6km/h							
Travel Speed(Raised)	1.1km/h							
Max. Working Slope	X-5°/Y-5°							
Turret Rotation	360°Continuous							
Platform Rotation	180°							
Jib Movement	130°	135°	130°	135°				
<b>Weight</b>								
Overall Weight	18900kg	18400kg	16600kg	16090kg	14300kg	18300kg	17100kg	
<b>Power</b>								
Power Source	 <b>Lithium Battery 520Ah/80V</b> Charger 6.6kW/80V				 <b>Diesel Engine</b> Deutz TD2.9 L4 55.4kW			
Hydraulic Oil Tank	165L							

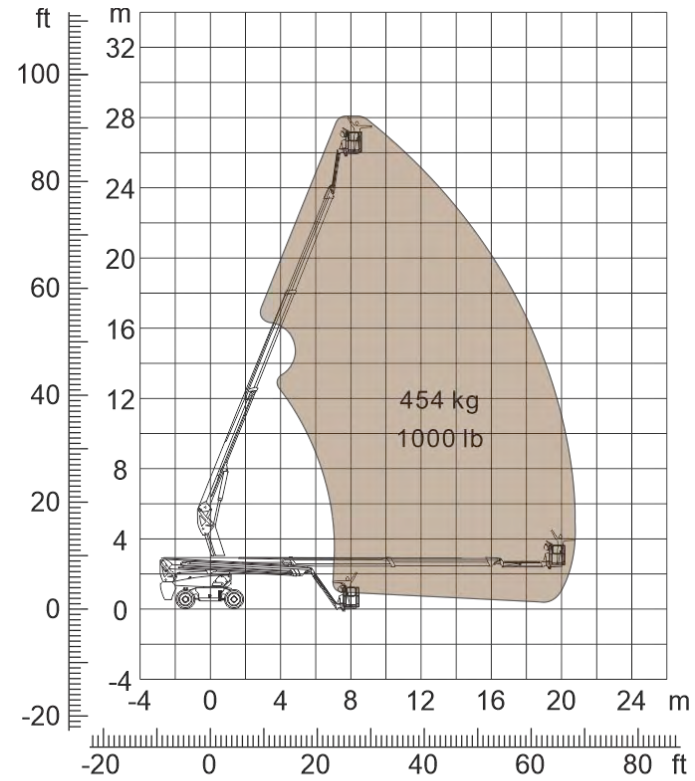




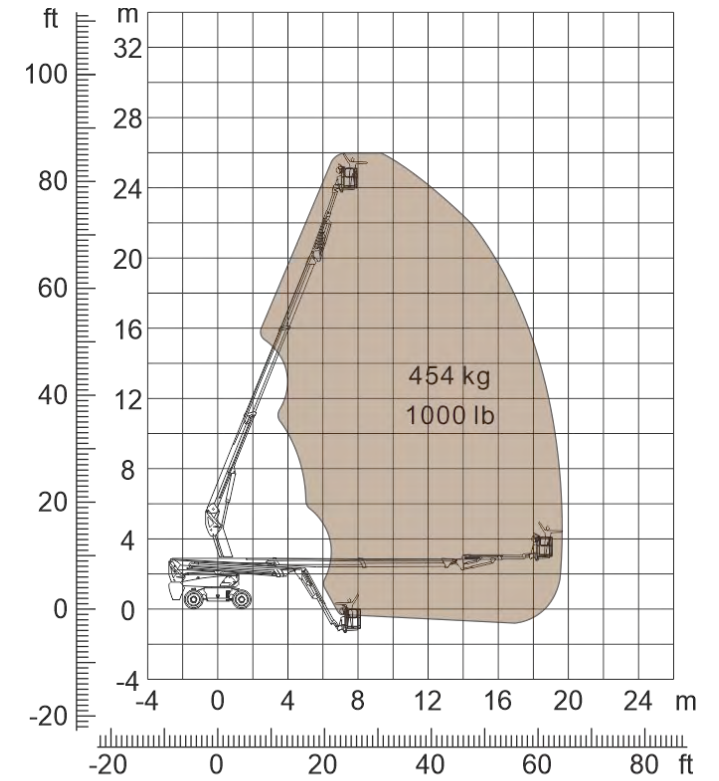
# Working Range-Telescopic Boom Lifts



 **BT30ERT**  **BT30RT**



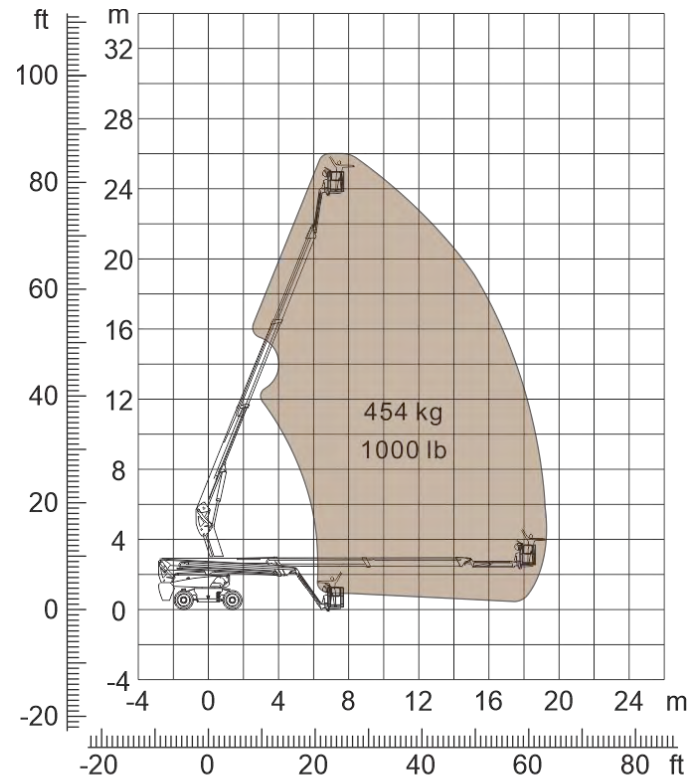
 **BT28ERT**  **BT28RT**



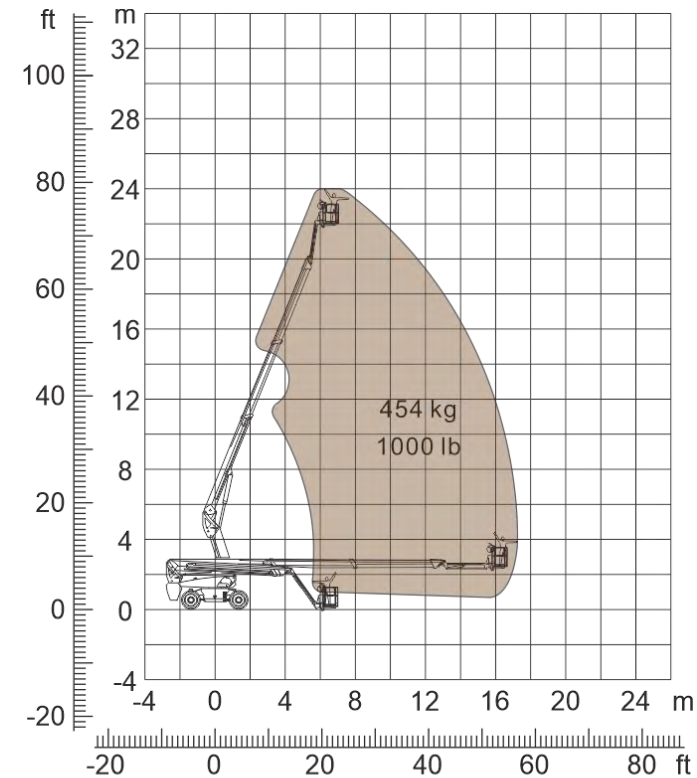
 **BT26SERT**  **BT26SRT**

**Application Fields:** Airport Project, Road Bridge Project, Bus and High-speed Railway Station Project, Steel Structure Project, Electric Power Project, Petrochemical Project, Electronics and Communications Engineering Project, etc.

# Working Range-Telescopic Boom Lifts



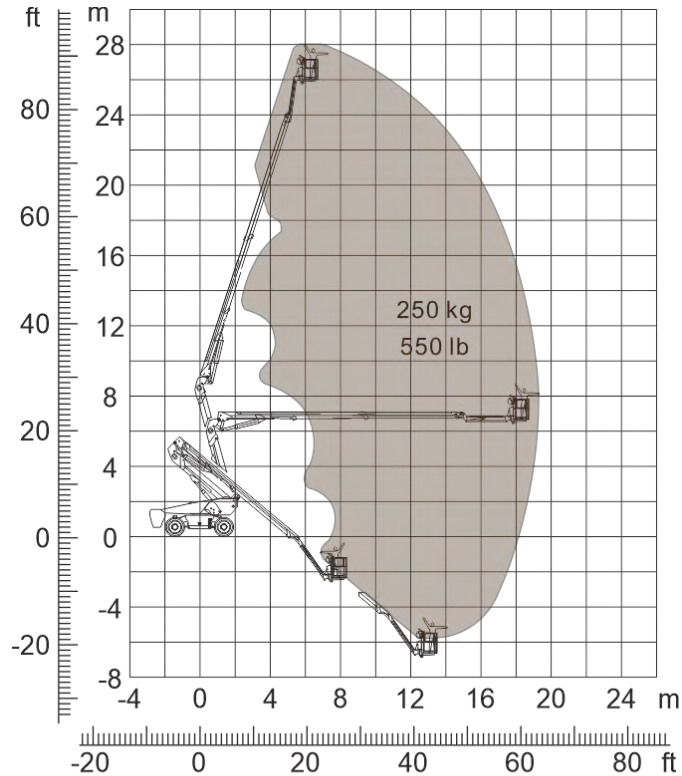
 **BT26ERT**  **BT26RT**



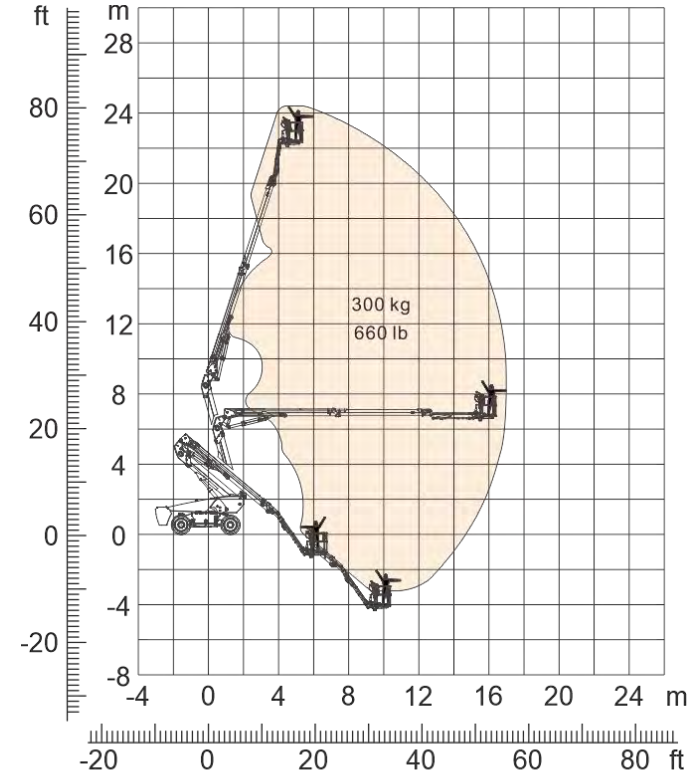
 **BT24ERT**  **BT24RT**

**Application Fields:** Airport Project, Road Bridge Project, Bus and High-speed Railway Station Project, Steel Structure Project, Electric Power Project, Petrochemical Project, Electronics and Communications Engineering Project, etc.

# Working Range-Articulating Boom Lifts



 **BA28ERT**  **BA28RT**



 **BA24ERT**  **BA24RT**

**Application Fields:** Airport Project, Road Bridge Project, Bus and High-speed Railway Station Project, Steel Structure Project, Electric Power Project, Petrochemical Project, Architectural Engineering Project, Railway Project, Highway Project, Hydraulic Engineering Project, Municipal Engineering Project, Coal Mine Project, Port & Waterway Engineering Project, Civil Aviation Project, Business and material engineering Project, Agricultural Engineering Project, Forestry Engineering Project, Food Engineering Project, etc.

# Construction Case

**DINGLI**  
*Exceed · New Height*



# Construction Case

**DINGLI**  
*Exceed · New Height*



## Construction Case



**DINGLI**  
*Exceed · New Height*



**DINGLI**  
*Exceed · New Height*

**THANKS**

