

Atlas Copco Instruction Manual



Operator Manual
for Portable Compressors
English

XAHS 38 Kd APP - XAHS 70 KD8 APP
XAS 58 Kd APP - XAS 120 KD8 APP
XAS 68 Kd APP - XAS 135 KD8 APP
XAS 48 G Kd APP - XAS 90 G KD8 APP

XAS 48 G Kd APP - XAS 90 G KD8 APP
XATS 68 Kd APP - XATS 135 KD8 APP
XAS 78 Kd APP - XAS 160 KD8 APP
XAS 88 Kd APP - XAS 175 KD8 APP
XAS 68 G Kd APP - XAS 135 G KD8 APP

Engine
Kubota V1505

Engine
Kubota V1505-T

Atlas Copco

**Operator Manual
for Portable Compressors**

**XAHS 38 Kd
XAS 58 Kd
XAS 68 Kd
XAS 48 G Kd
XATS 68 Kd
XAS 78 Kd
XAS 88 Kd
XAS 68 G Kd**

Original instructions

Printed matter N°
2954 9520 01

12/2016



ATLAS COPCO - PORTABLE ENERGY DIVISION
www.atlascopco.com

Warranty and Liability Limitation

Use only authorized parts.

Any damage or malfunction caused by the use of unauthorized parts is not covered by Warranty or Product Liability.

The manufacturer does not accept any liability for any damage arising from modifications, additions or conversions made without the manufacturer's approval in writing.

Neglecting maintenance or making changes to the setup of the machine can result in major hazards, including fire risk.

While every effort has been made to ensure that the information in this manual is correct, Atlas Copco does not assume responsibility for possible errors.

Copyright 2016, Atlas Copco Airpower n.v., Antwerp, Belgium.

Any unauthorized use or copying of the contents or any part thereof is prohibited.

This applies in particular to trademarks, model denominations, part numbers and drawings.

Preface

Follow the instructions in this booklet and we guarantee you years of troublefree operation. It is a solid, safe and reliable machine, built according to the latest technology.

Always keep the manual available near the machine.

In all correspondence always mention the compressor type and serial number, shown on the data plate.

The company reserves the right to make changes without prior notice.

Table of contents

1	Safety precautions	7
1.1	Introduction	7
1.2	General safety precautions	8
1.3	Safety during transport and installation	9
1.4	Safety during use and operation	10
1.5	Safety during maintenance and repair	11
1.6	Tool applications safety	12
1.7	Specific safety precautions	13
2	Leading particulars	15
2.1	Safety pictograms used	15
2.2	General description	15
2.3	Markings and information labels	17
3	Main Parts	18
4	Operating instructions	20
4.1	Parking, towing and lifting instructions	20
4.1.1	Parking instructions	20
4.1.2	Towing instructions	21
4.1.3	Lifting instructions	23
4.2	Operating the compressor	24
4.2.1	Prevent low loads	24
4.2.2	Before starting	24
4.2.3	Control panel	25
4.2.4	During operation	26
4.2.5	Stopping procedure	26
4.2.6	Fault situations and protective devices ..	26
4.2.7	Generator (option)	27
5	Maintenance	28
5.1	Daily maintenance compressor before starting a job	28
5.2	Daily maintenance undercarriage before a roadgoing job	28
5.3	Oil	29
5.3.1	Oil level check	29
5.3.2	Engine oil	29
5.3.3	Compressor oil	29
5.4	Coolant	31
5.4.1	Coolant level check	31
5.5	Battery	31
5.5.1	Recharging a battery	31
5.5.2	Periodic battery service	31
5.6	Air filter engine/compressor	32
5.7	Cleaning	32
5.7.1	Cleaning coolers	32
5.7.2	Cleaning hardhat	32
5.7.3	Spillage-free frame	33
5.8	Storage	33
5.9	Options	33
6	Problem solving	34
7	Technical specifications	36
7.1	Compressor / engine specifications	36
7.2	Dimensions	44
8	Dataplate	48
9	Disposal	49
10	Maintenance Log	50

**CALIFORNIA
Proposition 65 Warning**

Diesel engine exhaust and some of its constituents are known to the State of California to cause cancer, birth defects, and other reproductive harm.

Safety precautions



To be read attentively and acted accordingly before towing, lifting, operating, performing maintenance or repairing the unit.

INTRODUCTION

The policy of Atlas Copco is to provide the users of their equipment with safe, reliable and efficient products. Factors taken into account are among others:

- the intended and predictable future use of the products, and the environments in which they are expected to operate,
- applicable rules, codes and regulations,
- the expected useful product life, assuming proper service and maintenance,
- providing the manual with up-to-date information.

Before handling any product, take time to read the relevant instruction manual. Besides giving detailed operating instructions, it also gives specific information about safety, preventive maintenance, etc.

Keep the manual always at the unit location, easy accessible to the operating personnel.

See also the safety precautions of the engine and possible other equipment, which are separately sent along or are mentioned on the equipment or parts of the unit.

These safety precautions are general and some statements will therefore not always apply to a particular unit.

Only people that have the right skills should be allowed to operate, adjust, perform maintenance or repair on Atlas Copco equipment.

It is the responsibility of management to appoint operators with the appropriate training and skill for each category of job.

Skill level 1: Operator

An operator is trained in all aspects of operating the unit with the push-buttons, and is trained to know the safety aspects.

Skill level 2: Mechanical technician

A mechanical technician is trained to operate the unit the same as the operator. In addition, the mechanical technician is also trained to perform maintenance and repair, as described in the instruction manual, and is allowed to change settings of the control and safety system. A mechanical technician does not work on live electrical components.

Skill level 3: Electrical technician

An electrical technician is trained and has the same qualifications as both the operator and the mechanical technician. In addition, the electrical technician may carry out electrical repairs within the various enclosures of the unit. This includes work on live electrical components.

Skill level 4: Specialist from the manufacturer

This is a skilled specialist sent by the manufacturer or its agent to perform complex repairs or modifications to the equipment.

In general it is recommended that not more than two people operate the unit, more operators could lead to unsafe operating conditions.

Take necessary steps to keep unauthorized persons away from the unit and eliminate all possible sources of danger at the unit.

When handling, operating, overhauling and/or performing maintenance or repair on Atlas Copco equipment, the mechanics are expected to use safe engineering practices and to observe all relevant local safety requirements and ordinances. The following list is a reminder of special safety directives and precautions mainly applicable to Atlas Copco equipment.

These safety precautions apply to machinery processing or consuming air. Processing of any other gas requires additional safety precautions typical to the application and are not included herein.

Neglecting the safety precautions may endanger people as well as environment and machinery:

- endanger people due to electrical, mechanical or chemical influences,
- endanger the environment due to leakage of oil, solvents or other substances,
- endanger the machinery due to function failures.

All responsibility for any damage or injury resulting from neglecting these precautions or by non-observance of ordinary caution and due care required in handling, operating, maintenance or repair, also if not expressly mentioned in this instruction manual, is disclaimed by Atlas Copco.

The manufacturer does not accept any liability for any damage arising from the use of non-original parts and for modifications, additions or conversions made without the manufacturer's approval in writing.

If any statement in this manual does not comply with local legislation, the stricter of the two shall be applied.

Statements in these safety precautions should not be interpreted as suggestions, recommendations or inducements that it should be used in violation of any applicable laws or regulations.

GENERAL SAFETY PRECAUTIONS

- 1 The owner is responsible for maintaining the unit in a safe operating condition. Unit parts and accessories must be replaced if missing or unsuitable for safe operation.
- 2 The supervisor, or the responsible person, shall at all times make sure that all instructions regarding machinery and equipment operation and maintenance are strictly followed and that the machines with all accessories and safety devices, as well as the consuming devices, are in good repair, free of abnormal wear or abuse, and are not tampered with.
- 3 Whenever there is an indication or any suspicion that an internal part of a machine is overheated, the machine shall be stopped but no inspection covers shall be opened before sufficient cooling time has elapsed; this to avoid the risk of spontaneous ignition of oil vapour when air is admitted.
- 4 Normal ratings (pressures, temperatures, speeds, etc.) shall be durably marked.
- 5 Operate the unit only for the intended purpose and within its rated limits (pressure, temperature, speeds, etc.).
- 6 The machinery and equipment shall be kept clean, i.e. as free as possible from oil, dust or other deposits.
- 7 To prevent an increase in working temperature, inspect and clean heat transfer surfaces (cooler fins, intercoolers, water jackets, etc.) regularly.
- 8 All regulating and safety devices shall be maintained with due care to ensure that they function properly. They may not be put out of action.
- 9 Care shall be taken to avoid damage to safety valves and other pressure-relief devices, especially to avoid plugging by paint, oil coke or dirt accumulation, which could interfere with the functioning of the device.
- 10 Pressure and temperature gauges shall be checked regularly with regard to their accuracy. They shall be replaced whenever outside acceptable tolerances.
- 11 Safety devices shall be tested as described in the maintenance schedule of the instruction manual to determine that they are in good operating condition.
- 12 Mind the markings and information labels on the unit.
- 13 In the event the safety labels are damaged or destroyed, they must be replaced to ensure operator safety.
- 14 Keep the work area neat. Lack of order will increase the risk of accidents.
- 15 When working on the unit, wear safety clothing. Depending on the kind of activities these are: safety glasses, ear protection, safety helmet (including visor), safety gloves, protective clothing, safety shoes. Do not wear the hair long and loose (protect long hair with a hairnet), or wear loose clothing or jewellery.
- 16 Take precautions against fire. Handle fuel, oil and anti-freeze with care because they are inflammable substances. Do not smoke or approach with naked flame when handling such substances. Keep a fire-extinguisher in the vicinity.

SAFETY DURING TRANSPORT AND INSTALLATION

Transport of the unit has to be done by authorized/experienced people.

When towing, lifting or transporting the compressor in any way, the battery switch must always be switched off.

To lift a unit, all loose or pivoting parts, e.g. doors and tow bar, shall first be securely fastened.

Do not attach cables, chains or ropes directly to the lifting eye; apply a crane hook or lifting shackle meeting local safety regulations. Never allow sharp bends in lifting cables, chains or ropes.

Helicopter lifting is not allowed.

It is strictly forbidden to dwell or stay in the risk zone under a lifted load. Never lift the unit over people or residential areas. Lifting acceleration and retardation shall be kept within safe limits.

1 Before towing the unit:

- ascertain that the pressure vessel(s) is (are) depressurized,
- check the towbar, the brake system and the towing eye. Also check the coupling of the towing vehicle,
- check the towing and brake capability of the towing vehicle,
- check that the towbar, jockey wheel or stand leg is safely locked in the raised position,
- keep hands/fingers away from the coupling device and all other potential pinch points. Keep feet away from the towbar to avoid injury if it should slip,
- ascertain that the towing eye can swivel freely on the hook,

- check that the wheels are secure and that the tyres are in good condition and inflated correctly,
 - connect the signalisation cable, check all lights and ascertain that the signalisation cable can not drag on the ground when towing the unit,
 - attach the safety break-away cable or safety chain to the towing vehicle,
 - remove wheel chocks, if applied, and disengage the parking brake,
 - check whether springs on wheelchocks are missing or broken.
- 2 To tow a unit use a towing vehicle of ample capacity. Refer to the documentation of the towing vehicle.
 - 3 If the unit is to be backed up by the towing vehicle, disengage the overrun brake mechanism (if it is not an automatic mechanism).
 - 4 Never exceed the maximum towing speed of the unit (mind the local regulations).
 - 5 Place the unit on level ground and apply the parking brake before disconnecting the unit from the towing vehicle. Unclip the safety break-away cable or safety chain. If the unit has no parking brake or jockey wheel, immobilize the unit by placing chocks in front of and/or behind the wheels. When the towbar can be positioned vertically, the locking device must be applied and kept in good order. The unit must always be used/parked/stored in a non publicly accessible area, locked away from access by unauthorized persons.
 - 6 To lift heavy parts, a hoist of ample capacity, tested and approved according to local safety regulations, shall be used.

- 7 Lifting hooks, eyes, shackles, etc., shall never be bent and shall only have stress in line with their design load axis. The capacity of a lifting device diminishes when the lifting force is applied at an angle to its load axis.
- 8 For maximum safety and efficiency of the lifting apparatus all lifting members shall be applied as near to perpendicular as possible. If required, a lifting beam shall be applied between hoist and load.
- 9 Never leave a load hanging on a hoist.
- 10 A hoist has to be installed in such a way that the object will be lifted perpendicular. If that is not possible, the necessary precautions must be taken to prevent load-swinging, e.g. by using two hoists, each at approximately the same angle not exceeding 30° from the vertical.
- 11 Locate the unit away from walls. Take all precautions to ensure that hot air exhausted from the engine and driven machine cooling systems cannot be recirculated. If such hot air is taken in by the engine or driven machine cooling fan, this may cause overheating of the unit; if taken in for combustion, the engine power will be reduced.
- 12 Before moving the compressor, switch it off.

SAFETY DURING USE AND OPERATION

- 1 When the unit has to operate in a fire-hazardous environment, each engine exhaust has to be provided with a spark arrestor to trap incendiary sparks.
- 2 The exhaust contains carbon monoxide which is a lethal gas. When the unit is used in a confined space, conduct the engine exhaust to the outside atmosphere by a pipe of sufficient diameter; do this in such a way that no extra back pressure is created for the engine. If necessary, install an extractor. Observe any existing local regulations. Make sure that the unit has sufficient air intake for operation. If necessary, install extra air intake ducts.
- 3 When operating in a dust-laden atmosphere, place the unit so that dust is not carried towards it by the wind. Operation in clean surroundings considerably extends the intervals for cleaning the air intake filters and the cores of the coolers.
- 4 Close the compressor air outlet valve before connecting or disconnecting a hose. Ascertain that a hose is fully depressurized before disconnecting it. Before blowing compressed air through a hose or air line, ensure that the open end is held securely, so that it cannot whip and cause injury.
- 5 The air line end connected to the outlet valve must be safeguarded with a safety cable, attached next to the valve.
- 6 No external force may be exerted on the air outlet valves, e.g. by pulling on hoses or by installing auxiliary equipment directly to a valve, e.g. a water separator, a lubricator, etc. Do not step on the air outlet valves.
- 7 Never move a unit when external lines or hoses are connected to the outlet valves, to avoid damage to valves, manifold and hoses.
- 8 Do not use compressed air from any type of compressor, without taking extra measures, for breathing purposes as this may result in injury or death. For breathing air quality, the compressed air must be adequately purified according to local legislation and standards. Breathing air must always be supplied at stable, suitable pressure.
- 9 Distribution pipework and air hoses must be of correct diameter and suitable for the working pressure. Never use frayed, damaged or deteriorated hoses. Replace hoses and flexibles before the lifetime expires. Use only the correct type and size of hose end fittings and connections.
- 10 If the compressor is to be used for sand-blasting or will be connected to a common compressed-air system, fit an appropriate non-return valve (check valve) between compressor outlet and the connected sand-blasting or compressed-air system. Observe the right mounting position/direction.
- 11 Before removing the oil filler plug, ensure that the pressure is released by opening an air outlet valve.
- 12 Never remove a filler cap of the cooling water system of a hot engine. Wait until the engine has sufficiently cooled down.
- 13 Never refill fuel while the unit is running, unless otherwise stated in the Atlas Copco instruction book. Keep fuel away from hot parts such as air outlet pipes or the engine exhaust. Do not smoke when fuelling. When fuelling from an automatic pump, an earthing cable should be connected to the unit to discharge static electricity. Never spill nor leave oil, fuel, coolant or cleansing agent in or around the unit.
- 14 All doors shall be shut during operation so as not to disturb the cooling air flow inside the bodywork and/or render the silencing less effective. A door should be kept open for a short period only e.g. for inspection or adjustment.
- 15 Periodically carry out maintenance works according to the maintenance schedule.
- 16 Stationary housing guards are provided on all rotating or reciprocating parts not otherwise protected and which may be hazardous to personnel. Machinery shall never be put into operation, when such guards have been removed, before the guards are securely reinstalled.
- 17 Noise, even at reasonable levels, can cause irritation and disturbance which, over a long period of time, may cause severe injuries to the nervous system of human beings. When the sound pressure level, at any point where personnel normally has to attend, is:
 - below 70 dB(A): no action needs to be taken,
 - above 70 dB(A): noise-protective devices should be provided for people continuously being present in the room,
 - below 85 dB(A): no action needs to be taken for occasional visitors staying a limited time only,
 - above 85 dB(A): room to be classified as a noise-hazardous area and an obvious warning shall be placed permanently at each entrance to alert people entering the room, for even relatively short times, about the need to wear ear protectors,
 - above 95 dB(A): the warning(s) at the entrance(s) shall be completed with the recommendation that also occasional visitors shall wear ear protectors,
 - above 105 dB(A): special ear protectors that are adequate for this noise level and the spectral composition of the noise shall be provided and a special warning to that effect shall be placed at each entrance.

- 18 The unit has parts, which may be accidentally touched by personal, of which the temperature can be in excess of 80°C (176°F). The insulation or safety guard, protecting these parts shall not be removed before the parts have cooled down to room temperature. As it is technically not possible to insulate all hot parts or to install safety guards around hot parts (e.g. exhaust manifold, exhaust turbine), the operator / service engineer must always be aware not to touch hot parts when opening a machine door.
- 19 Never operate the unit in surroundings where there is a possibility of taking in flammable or toxic fumes.
- 20 If the working process produces fumes, dust or vibration hazards, etc., take the necessary steps to eliminate the risk of personal injury.
- 21 When using compressed air or inert gas to clean down equipment, do so with caution and use the appropriate protection, at least safety glasses, for the operator as well as for any bystander. Do not apply compressed air or inert gas to your skin or direct an air or gas stream at people. Never use it to clean dirt from your clothes.
- 22 When washing parts in or with a cleaning solvent, provide the required ventilation and use appropriate protection such as a breathing filter, safety glasses, rubber apron and gloves, etc.
- 23 Safety shoes should be compulsory in any workshop and if there is a risk, however small, of falling objects, wearing of a safety helmet should be included.
- 24 If there is a risk of inhaling hazardous gases, fumes or dust, the respiratory organs must be protected and depending on the nature of the hazard, so must the eyes and skin.
- 25 Remember that where there is visible dust, the finer, invisible particles will almost certainly be present too; but the fact that no dust can be seen is not a reliable indication that dangerous, invisible dust is not present in the air.
- 26 Never operate the unit at pressures or speeds below or in excess of its limits as indicated in the technical specifications.
- 27 Do not use aerosol types of starting aids such as ether. Such use could result in an explosion and personal injury.

SAFETY DURING MAINTENANCE AND REPAIR

Maintenance, overhaul and repair work shall only be carried out by adequately trained personnel; if required, under supervision of someone qualified for the job.

- 1 Use only the correct tools for maintenance and repair work, and only tools which are in good condition.
- 2 Parts shall only be replaced by genuine Atlas Copco replacement parts.
- 3 All maintenance work, other than routine attention, shall only be undertaken when the unit is stopped. Steps shall be taken to prevent inadvertent starting. In addition, a warning sign bearing a legend such as "work in progress; do not start" shall be attached to the starting equipment. On engine-driven units the battery shall be disconnected and removed or the terminals covered by insulating caps. On electrically driven units the main switch shall be locked in open position and the fuses shall be taken out. A warning sign bearing a legend such as "work in progress; do not supply voltage" shall be attached to the fuse box or main switch.
- 4 Before dismantling any pressurized component, the compressor or equipment shall be effectively isolated from all sources of pressure and the entire system shall be relieved of pressure. Do not rely on non-return valves (check valves) to isolate pressure systems. In addition, a warning sign bearing a legend such as "work in progress; do not open" shall be attached to each of the outlet valves.
- 5 Prior to stripping an engine or other machine or undertaking major overhaul on it, prevent all movable parts from rolling over or moving.

- 6 Make sure that no tools, loose parts or rags are left in or on the machine. Never leave rags or loose clothing near the engine air intake.
- 7 Never use flammable solvents for cleaning (fire-risk).
- 8 Take safety precautions against toxic vapours of cleaning liquids.
- 9 Never use machine parts as a climbing aid.
- 10 Observe scrupulous cleanliness during maintenance and repair. Keep away dirt, cover the parts and exposed openings with a clean cloth, paper or tape.
- 11 Never weld on or perform any operation involving heat near the fuel or oil systems. Fuel and oil tanks must be completely purged, e.g. by steam-cleaning, before carrying out such operations. Never weld on, or in any way modify, pressure vessels. Disconnect the alternator cables during arc welding on the unit.
- 12 Support the towbar and the axle(s) securely if working underneath the unit or when removing a wheel. Do not rely on jacks.
- 13 Do not remove any of, or tamper with, the sound-damping material. Keep the material free of dirt and liquids such as fuel, oil and cleansing agents. If any sound-damping material is damaged, replace it to prevent the sound pressure level from increasing.
- 14 Use only lubricating oils and greases recommended or approved by Atlas Copco or the machine manufacturer. Ascertain that the selected lubricants comply with all applicable safety regulations, especially with regard to explosion or fire-risk and the possibility of decomposition or generation of hazardous gases. Never mix synthetic with mineral oil.
- 15 Protect the engine, alternator, air intake filter, electrical and regulating components, etc., to prevent moisture ingress, e.g. when steam-cleaning.
- 16 When performing any operation involving heat, flames or sparks on a machine, the surrounding components shall first be screened with non-flammable material.
- 17 Never use a light source with open flame for inspecting the interior of a machine.
- 18 Disconnect –battery-clamp before starting electrical servicing or welding (or turn battery-switch in “off” position).
- 19 When repair has been completed, the machine shall be barred over at least one revolution for reciprocating machines, several revolutions for rotary ones to ensure that there is no mechanical interference within the machine or driver. Check the direction of rotation of electric motors when starting up the machine initially and after any alteration to the electrical connection(s) or switch gear, to check that the oil pump and the fan function properly.
- 20 Maintenance and repair work should be recorded in an operator’s logbook for all machinery. Frequency and nature of repairs can reveal unsafe conditions.
- 21 When hot parts have to be handled, e.g. shrink fitting, special heat-resistant gloves shall be used and, if required, other body protection shall be applied.
- 22 When using cartridge type breathing filter equipment, ascertain that the correct type of cartridge is used and that its useful service life is not surpassed.
- 23 Make sure that oil, solvents and other substances likely to pollute the environment are properly disposed of.
- 24 Before clearing the unit for use after maintenance or overhaul, check that operating pressures, temperatures and speeds are correct and that the control and shutdown devices function correctly.

TOOL APPLICATIONS SAFETY

Apply the proper tool for each job. With the knowledge of correct tool use and knowing the limitations of tools, along with some common sense, many accidents can be prevented.

Special service tools are available for specific jobs and should be used when recommended. The use of these tools will save time and prevent damage to parts.

SPECIFIC SAFETY PRECAUTIONS

Batteries

When servicing batteries, always wear protecting clothing and glasses.

- 1 The electrolyte in batteries is a sulphuric acid solution which is fatal if it hits your eyes, and which can cause burns if it contacts your skin. Therefore, be careful when handling batteries, e.g. when checking the charge condition.
- 2 Install a sign prohibiting fire, open flame and smoking at the post where batteries are being charged.
- 3 When batteries are being charged, an explosive gas mixture forms in the cells and might escape through the vent holes in the plugs. Thus an explosive atmosphere may form around the battery if ventilation is poor, and can remain in and around the battery for several hours after it has been charged. Therefore:
 - never smoke near batteries being, or having recently been, charged,
 - never break live circuits at battery terminals, because a spark usually occurs.
- 4 When connecting an auxiliary battery (AB) in parallel to the unit battery (CB) with booster cables: connect the + pole of AB to the + pole of CB, then connect the – pole of CB to the mass of the unit. Disconnect in the reverse order.

Pressure vessels

Maintenance/installation requirements:

- 1 The vessel can be used as pressure vessel or as separator and is designed to hold compressed air for the following application:
 - pressure vessel for compressor,
 - medium AIR/OIL,and operates as detailed on the data plate of the vessel:
 - the maximum working pressure ps in bar (psi),
 - the maximum working temperature Tmax in °C (°F),
 - the minimum working temperature Tmin in °C (°F),
 - the capacity of the vessel V in l (US gal).
- 2 The pressure vessel is only to be used for the applications as specified above and in accordance with the technical specifications. Safety reasons prohibit any other applications.
- 3 National legislation requirements with respect to re-inspection must be complied with.
- 4 No welding or heat treatment of any kind is permitted to those vessel walls which are exposed to pressure.
- 5 The vessel is provided and may only be used with the required safety equipment such as manometer, overpressure control devices, safety valve, etc.
- 6 Draining of condensate shall be performed daily when vessel is in use.
- 7 Installation, design and connections should not be changed.
- 8 Bolts of cover and flanges may not be used for extra fixation.
- 9 (Pressure) vessel maintenance is to be performed by Atlas Copco.

Safety valves

- 1 All adjustments or repairs are to be done by an authorized representative of the valve supplier.
- 2 Only trained and technically competent personnel should consider overhaul, re-set or performance testing of safety valves.
- 3 The safety valve is supplied with either a lead security seal or crimped cover to deter unauthorised access to the pressure regulation device.
- 4 Under no circumstances should the set pressure of the safety valve be altered to a different pressure than that stamped on the valve without the permission of the installation designer.
- 5 If the set pressure must be altered then use only correct parts supplied by Atlas Copco and in accordance with the instructions available for the valve type.
- 6 Safety valves must be frequently tested and regularly maintained.
- 7 The set pressure should be periodically checked for accuracy.
- 8 When fitted, the compressors should be operated at pressures not less than 75% of the set pressure to ensure free and easy movement of internal parts.
- 9 The frequency of tests is influenced by factors such as the severity of the operating environment and aggressiveness of the pressurised medium.
- 10 Soft seals and springs should be replaced as part of the maintenance procedure.
- 11 Do not paint or coat the installed safety valve.

SAFETY PRECAUTIONS FOR GENERATORS



This generator is designed to produce an alternating current!

1. The total length of all electric cables connected to the generator must not exceed 150 m.
2. If several generators are used or if the mains is also employed, the networks must not be connected to each other.
3. Do not ground neutral conductor. For that reason, do not use generator as feed point for construction site distribution centres.
4. Equipment with protective conductor may be connected. We recommend, however, to use equipment with full protective insulation whenever possible.
5. Repair and maintenance of generator's electric parts by qualified electricians only.

Safety precautions during installation

- 1 The electrical connections must comply with the local regulations.
- 2 Damaged cables and inadequately connections may cause electric shocks. Replace damaged cables and ensure that all electric connections are correct.

Safety precautions during operation

- 1 Never operate the generator in excess of its limits as indicated in the technical specifications.
- 2 Never operate the generator in a humid atmosphere. Excessive moisture has a detrimental impact on the generator insulation.
- 3 Never touch the power terminals during operation of the machine.
- 4 Periodically check that:
 - all guards are in place and properly fastened.
 - all hoses, cables and pipes inside are in good condition, secure and are not rubbing.
 - there are no leaks.
 - all connection elements are properly secured.
 - all the wiring is secure and in good order.
- 5 If an abnormal situation arises, e.g. excessive vibration, noise, odour etc., switch the circuit breakers to position 0 and stop the engine. Correct the fault before re-starting.
- 6 Check the electric cables regularly. If damaged cables or hazardous conditions are observed, switch the circuit breakers to position 0 and stop the engine. Replace the damaged cables or eliminate the hazardous situation before restarting.
- 7 Avoid overloading the generator. The generator is provided with circuit breakers for overload protection. When a circuit breaker has tripped, reduce the load before re-starting.
- 8 Never connect the generator to an installation which is also connected to the mains.
- 9 Before connecting a load, check to see whether the frequency, voltage, and power comply with the ratings of the generator.

Safety precautions during maintenance

Before clearing the generator for operation after maintenance work or an overhaul, submit it to a test run and check that the AC supply is correct and that the control and shut-down devices function correctly.

Leading particulars

SAFETY PICTOGRAMS USED

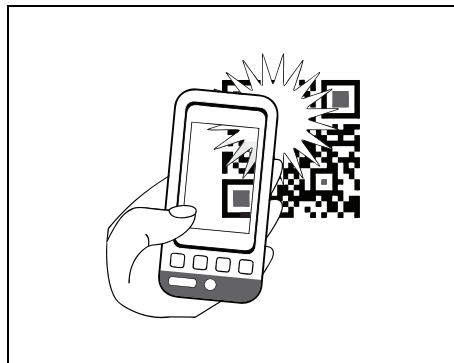


This symbol draws your attention to dangerous situations. The operation concerned may endanger persons and cause injuries.



This symbol is followed by supplementary information.

QR CODE

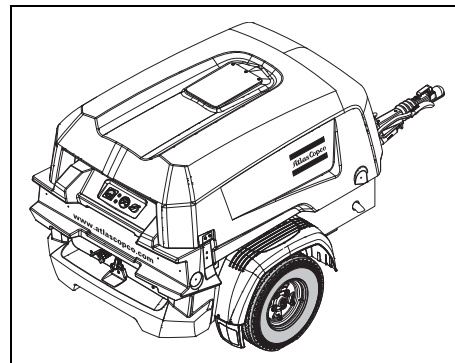


The unit is equipped with a QR code label. You will find the QR code next to the operating panel. Scanning the code with your smartphone or tablet will lead you to a website with additional information about your compressor.



Some parts of this website may be password protected.

GENERAL DESCRIPTION



The compressors type XAHS 38 - XAHS 70 ranging to XAS 88 - XAS 175 are silenced, single-stage, oil-injected screw compressors, built for a nominal effective working pressure of 7 bar (102 psi) to 12 bar (175 psi) (see chapter **Technical specifications**).

The compressor is equipped with a PE canopy.

PE is very robust, can't corrode and will keep its shape and color during the full lifetime of the machine. It is fully recyclable to keep the environmental impact as low as possible. Its low weight (below 750 kg) makes it possible to tow it with a standard European driver's license.

The canopy has openings at the shaped front and rear end for the intake and outlet of cooling air. The canopy is internally lined with sound-absorbing material.

Engine

The compressor is driven by a liquid-cooled diesel engine.

The engine's power is transmitted to the compressor through a gear box.

Compressor element

The compressor casing houses two screw-type rotors, mounted on ball and roller bearings. The male rotor, driven by the engine, drives the female rotor. The element delivers pulsation-free air.

Injected oil is used for sealing, cooling and lubricating purposes.

Compressor oil system

The oil is boosted by air pressure. The system has no oil pump.

The entire oil system is equipped with screwed oil hoses to ensure higher quality and less failures.

The oil is removed from the air, in the air/oil vessel first by centrifugal force, secondly by the oil separator element. A Spin-on oil separator assures for quick service.

Regulation

The compressor is provided with a continuous pneumatic regulating system and a blow-down valve which is integrated in the unloader assembly. The valve is closed during operation by outlet pressure of the compressor element and opens by air receiver pressure when the compressor is stopped.

When the air consumption increases, the air receiver pressure will decrease and vice versa.

This receiver pressure variation is sensed by the regulating valve which, by means of control air to the unloader and engine speed regulator, matches the air output to the air consumption. The air receiver pressure is maintained between the pre-selected working pressure and the corresponding unloading pressure.

Cooling system

The engine is provided with a liquid cooler and the compressor is provided with an oil cooler.

The top tank of the engine cooler is integrated in the cooler to reduce the amount of connections. This results in higher general robustness and less engine failures.

The cooling air is generated by a fan, driven by the engine.

Fuel system

The fuel feed lines and fuel filtration are designed in such a way that after running the fuel tank dry, air pockets can't reach the engine and smooth starting is ensured.

Safety devices

A thermal shut-down switch protects the compressor against overheating. The air receiver is provided with a safety valve.

The engine is equipped with low oil pressure and high coolant temperature shut-down switches.

Frame and axles

The machine is equipped with a spillage-free frame.

The base frame which is made out of a single metal sheet, can contain up to 110% of all the liquids in the compressor. A drain plug is installed to drain the frame and safely capture all the spilled liquids.

The bumper is designed in such a way that it protects the rear bottom of the frame if the machine would be tilted on its rear.

The compressor/engine unit is supported by rubber buffers in the frame.

The unit can be delivered with or without wheels. If equipped with wheels it has an adjustable or fixed tow bar with or without brakes. The tow bar can be equipped with a ball coupling or various towing eyes.

The tow bar can be equipped with a jockey wheel or support leg.

MARKINGS AND INFORMATION LABELS

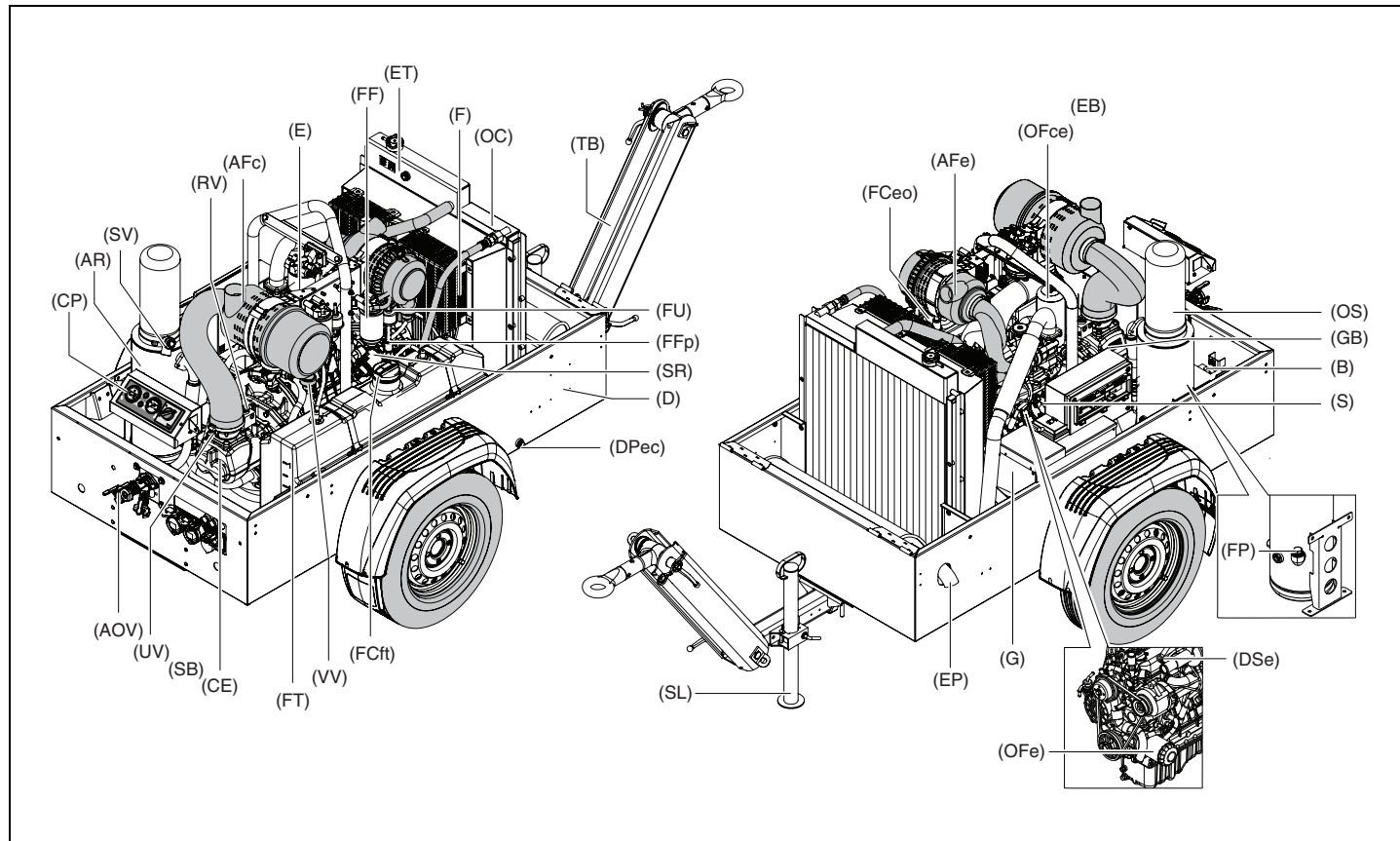
For location of the labels refer to the spare parts manual.

	Danger, outlet gases.
	Danger, hot surface.
	Electrocution hazard.
PAROIL M Xtreme	Atlas Copco mineral compressor oil.
PAROIL S	Atlas Copco synthetic compressor oil.
PAROIL E	Atlas Copco mineral engine oil.
	Manual.
	Read the instruction manual before working on the battery.
	On / off button.
	Hours, time.
	Prohibition to open air valves without connected hoses.

	Runlamp.
	Airfilter.
	Compressor temperature too high.
	Compressor oil level.
	Rotation direction.
	Read the instruction manual before starting.
	Service every 24 hours.
	Warning! Part under pressure.
	Do not stand on outlet valves.
	Do not run the compressor with open doors.
	Lifting device.

diesel	Use diesel fuel only.
2.7 bar (39 psi)	Tyre pressure.
	Service.
	Engine coolant.
L _{WA} 98dB	Sound power level in accordance with Directive 2000/14/EC (expressed in dB (A)).
	Horizontal towbar position required in case of coupling.
	Start engine.
	Preheating.
Zul. Stützlast max. 50 kg Nennlast über 0 t im Anheben ausser bei 0 t zulässig Alle Angaben bei 20 Grad Celsius Nennlast	Towing eye load.
	Flammable substances.

Main Parts



Reference	Name
AFc	Air Filter (compressor)
AFe	Air Filter (engine)
AOV	Air Outlet Valves
AR	Air Receiver
B	Battery
CE	Compressor Element
CP	Control Panel
D	Data Plate
DPec	Drain Plug (engine oil cooler)
DSe	Dipstick (engine oil)
E	Engine
EB	Electronic Box (option)
EP	Exhaust Pipe
ET	Expansion Tank
F	Fan
FCeo	Filler Cap (engine oil)
FCft	Filler Cap (fuel tank)
FF	Fuel Filter
FFp	Fuel pre filter
FP	Filler Plug

Reference	Name
FT	Fuel Tank
FU	Fuel Pump
G	Generator (option)
GB	Gear Box
OC	Oil Cooler
OFce	Oil Filter (compressor element)
OFe	Oil Filter (engine)
OS	Oil Separator
RV	Regulating Valve
S	Starting Motor
SB	Socket Box (option)
SL	Support Leg
SR	Speed Regulator
SV	Safety Valve
TB	Towbar
UV	Unloader Valve
VV	Vacuator Valve

Operating instructions

PARKING, TOWING AND LIFTING INSTRUCTIONS

Safety precautions



The operator is expected to apply all relevant Safety precautions.

Attention



After the first 100 km travel:

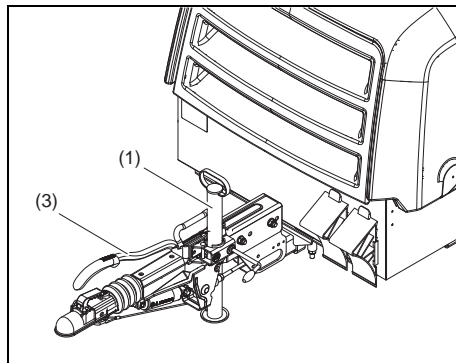
Check and retighten the wheel nuts and towbar bolts to the specified torque. See section Compressor / engine specifications.



When using a towing vehicle to manoeuvre the unit, take care that the support leg is lifted maximally.

When the jockey wheel is on the ground, the unit may only be manoeuvred by hand.

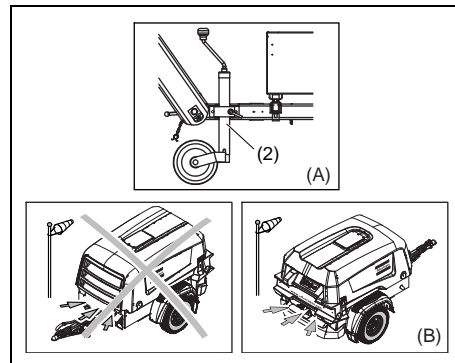
PARKING INSTRUCTIONS



Fixed towbar with support leg and brakes

When parking a compressor, secure support leg (1) or jockey wheel (2) to support the compressor in a level position.

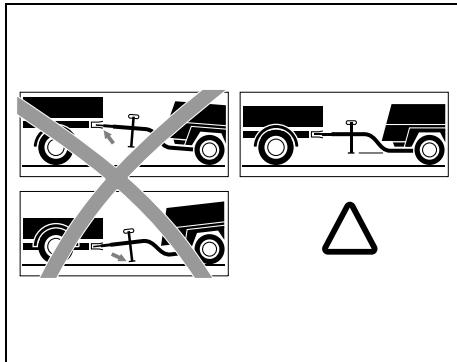
Apply parking brake by pulling parking brake handle (3) upwards. Place the compressor as level as possible; however, it can be operated temporarily in an out-of-level position not exceeding 15°. If the compressor is parked on sloping ground, immobilize the compressor by placing wheel chocks (available as an option) in front of or behind the wheels.



(A) Parking position of jockey wheel (adjustable towbar)
(B) Rear-end of compressor upwind

Locate the rear-end of the compressor upwind, away from contaminated wind-streams and walls. Avoid recirculation of exhaust gas and warmed-up cooling air. This causes overheating and engine power decrease. Do not obstruct air evacuation from the cooling system. The compressor oil lifetime will be shortened when the compressor inlet air is contaminated.

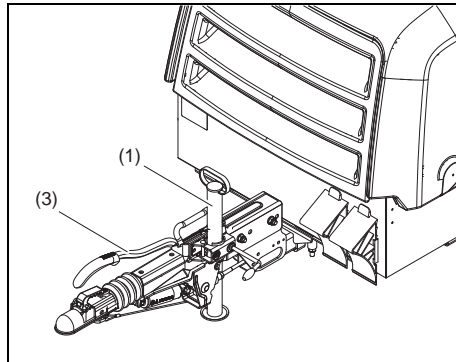
TOWING INSTRUCTIONS



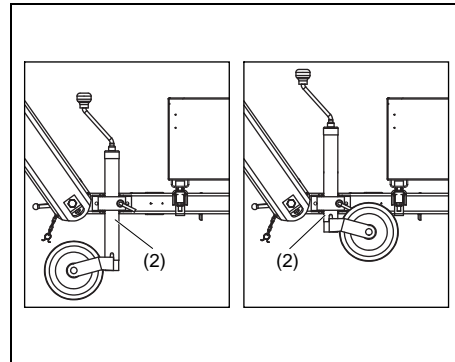
Label on towbar, towing instructions



Before towing the compressor, ensure that the towing equipment of the vehicle matches the towing eye or ball connector, and ensure that the hood is closed and locked properly.



Fixed towbar with support leg and brakes

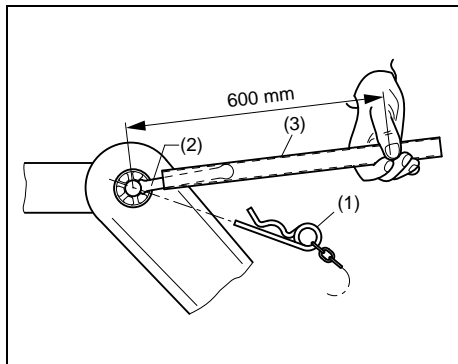


Towing position of jockey wheel

For both non-adjustable - and adjustable towbar, the towbar should be as level as possible and the compressor and towing eye end in a level position.

Push the hand brake lever (3) completely downwards and connect breakaway cable to the vehicle. Secure jockey wheel (2) or support leg (1) in the highest possible position.

HEIGHT ADJUSTMENT (with adjustable towbar)



Before towing the compressor, make sure that the joints of the towbar are secured with maximum strength without damaging the towbar. Be sure that there is no clearance between the teeth of the joints.

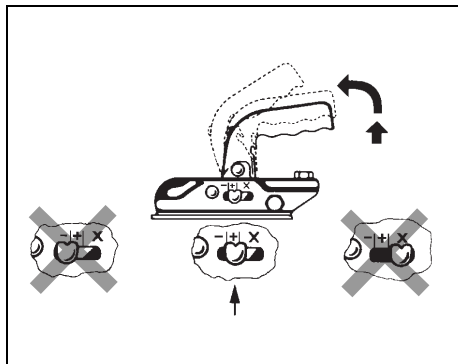
- Remove spring pin (1).
- Release locking nut (2).
- Adjust required height of the towbar.
- Tighten locking nut (2) by hand.
- Secondly tighten locking nut (2) using an extension tube (3) and handforce of 45 N/ 100 lbf.
- Fix locking nut (2) with spring pin (1).



Attention:

- Height adjustment should be undertaken on levelled ground and in coupled condition.
- When readjusting, make sure that the front point of the towbar is horizontal with the coupling point.
- Before starting a trip, ensure that the adjustment shaft is secure, so that stability and safety is guaranteed while driving. If necessary, tighten the locking nut (2). See above.

BALL COUPLING (OPTION)



The handle of the ball coupling and the handbrake lever may never be used as a manoeuvring aid; internal components may get damaged!

The coupling (ball coupling) on the tow bar is type approved. The maximum load at the coupling may not be exceeded.

When coupling lower the support leg to the ground. Reverse the car up to the compressor or, in the case of a small compressor, manoeuvre the compressor up to the car's trailer coupling.

Coupling:

Open coupling jaw by pulling the lever vigorously upwards in the direction of the arrow. Lower the opened coupling onto the ball of the vehicle coupling and the lever will automatically be lowered. Closing and locking are carried out automatically. Check the "+" (see figure) position!

Connect the breakaway cable and electrical plug (option) to the towing vehicle. Raise the support leg up fully and secure by firmly clamping it. Release parking brake before setting off.

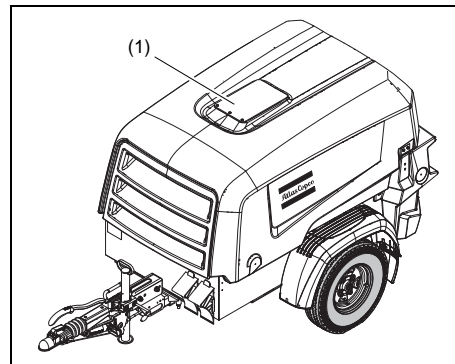
Visual check: the ball should no longer be visible in coupled condition.

Uncoupling:

Lower the support leg. Disconnect breakaway cable and electrical plug. Pull the lever vigorously upwards in the direction of the arrow and hold. Lift the compressor off the ball of the towing vehicle.

Secure the compressor by means of a wheel chock.

LIFTING INSTRUCTIONS



When lifting the compressor, the hoist has to be placed in such a way that the compressor, which must be placed level, is lifted vertically. Keep lifting acceleration and retardation within safe limits.

The lifting eye should preferably be used. The lifting eye is accessible when lifting the rubber flap (1).



Lifting acceleration and retardation must be kept within safe limits (max. 2xg).

Helicopter lifting is not allowed.

Lifting is not allowed when the unit is running.



Preferably use a lifting rope to avoid damage to the lifting beam structure and canopy.

Use a rope of ample capacity, that is tested and approved according to local safety regulations.

OPERATING THE COMPRESSOR

PREVENT LOW LOADS

Low loads may lead to:

- High oil consumption: prolonged no-load/low load operation of the engine may cause it to blue/grey smoke at low rpm with an associated increase in oil consumption.
- Low combustion temperature: this will result in insufficiently burned fuel, which will cause diluting of the lube oil. Also, unburned fuel and lube oil can enter the exhaust manifold and eventually leak out through joints in the exhaust manifold.
- Risk for fire.

Reduce low load periods to a minimum.

It is recommended that a unit is always used with a load >30% of nominal. Actions should be taken if due to circumstances this minimum load capacity cannot be obtained.



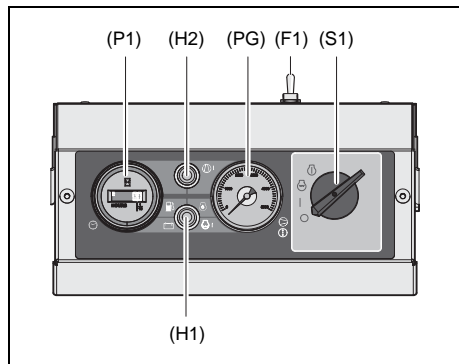
For more info, please contact your Atlas Copco Service Center.

Please note that when a failure occurs and is deemed due to low load operation, repair is not covered by warranty!

BEFORE STARTING

1. Before initial start-up, prepare battery for operation if not already done. See section **Recharging a battery**.
2. With the compressor standing level, check the level of the engine oil. Add oil, if necessary, up to the upper mark on the dipstick. See section **Engine oil level check**.
3. Check the level of the compressor oil. Add oil if necessary. See section **Compressor oil level check**.
4. Check the coolant level at the level gauge on the radiator. If necessary top up with coolant. See section **Topping up of coolant**.
5. Check that the fuel tank contains sufficient diesel fuel. Top up, if necessary. For priming the engine, the fuel must be electrically pumped up by holding the start switch in the "preheat" position, for max. 20 seconds. If necessary, return to "0" position and repeat. See further starting instructions.
6. Drain leaking fluid from the frame.
7. Check the air filter vacuum indicators (if present). If the yellow piston reaches the red marked service range, have the filter element replaced. After replacing, reset the indicator by pushing the reset button.
8. Press vacuator valves of the air filter to remove dust.
9. Open air outlet valve to allow air flow to the atmosphere.

CONTROL PANEL

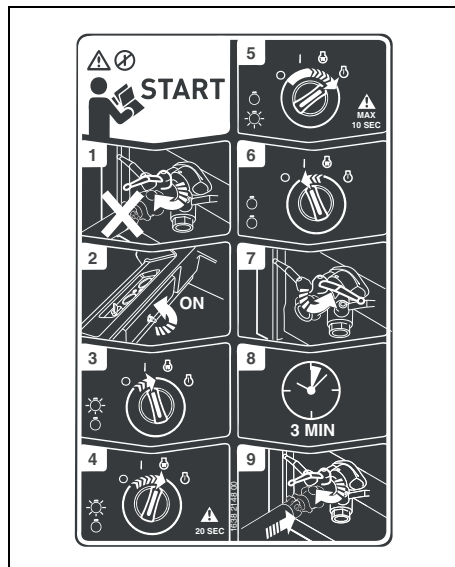


Reference	Name
P1	Hour meter
F1	Main switch
PG	Working pressure gauge
H1	General alarm lamp (red)
H2	Temperature alarm lamp (red)
S1	Start switch with pre-heating position



The main switch is a protection against unintended starting of the compressor.

STARTING PROCEDURE



Before operating the unit first read the manual.

1. Open air outlet valve, do not connect a hose yet.
2. Open the hood and switch the main switch at the back of the control panel to ON.
3. Turn the start switch S1 clockwise to position 1, lamp H2 (temperature alarm lamp) will go on.
4. To preheat turn the start switch S1 clockwise to position 2 for 20 sec (also to allow the fuel pump priming).
5. Turn start switch S1 further clockwise into position 3. The general alarm lamp H1 will go on. The starter motor will set the engine in motion. The maximum allowed starter time, where the starter motor is running continuously, is 10 seconds. If the engine does not catch, a new attempt can be made after waiting 30 seconds. General alarm lamp H1 will go out as soon as the engine has been started.
6. The start switch automatically springs back to position 1 and both lamps will be off.
7. Close the air outlet valve(s).
8. Let the engine warm up for 3 minutes.
9. After warming up the air hose can be connected and the unit is ready for operation.



Lamp H2 will only come on when the compressor outlet temperature is too high.

DURING OPERATION



When the engine is running, the air outlet valves (ball valves) must always be in a fully opened or fully closed position.



The hood must be closed during operation and may be opened for short periods only.

Be aware not to touch hot parts when the hood is open.

- Check that the regulating valve is correctly functioning, i.e. starts decreasing the engine speed when reaching the working pressure.
- Check on abnormal noise.
- Check the alarm lamps.

AIR OUTLET PRESSURE

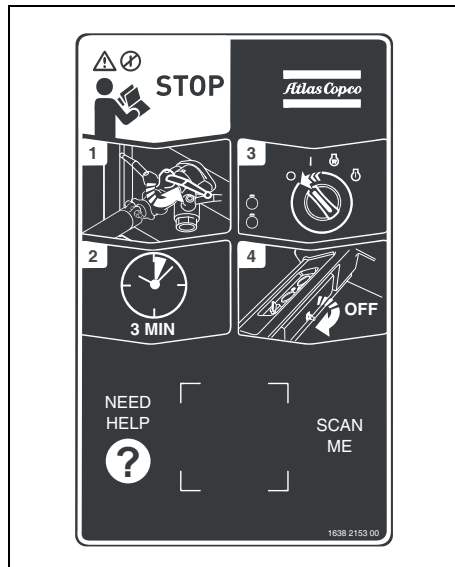
The air outlet pressure is set in the factory.



Modifying the set point above the nominal working pressure can affect the correct working of the unit and result in failure. Only the Atlas Copco customer center or an authorized distributor may work on, or adjust the regulating valve!

Incorrect use/operation of the machine, including modifying the working pressure above the nominal pressure, will void warranty.

STOPPING PROCEDURE



1. Close the air outlet valves (AOV).
2. Run unloaded for 3 minutes.
3. Turn the start switch S1 counterclockwise (CCW) to position 0.



Be aware not to touch hot parts when the hood is open.

4. Open the hood and switch the main switch at the back of the control panel to “OFF”.



Do not open the air outlet valve when machine is shut down. Remaining air inside the vessel will automatically be evacuated via a blow down valve!

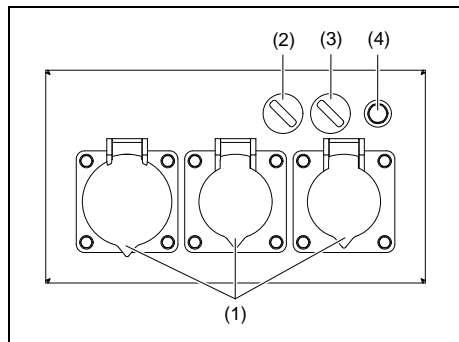
If pressure is released from the vessel too quickly, oil will start creating foam. This foam could reach the oil separator element resulting in oil carry over.

Failures caused by incorrectly shutting down the compressor will not be covered by warranty!

FAULT SITUATIONS AND PROTECTIVE DEVICES

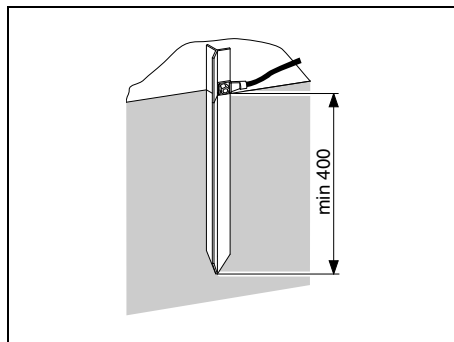
- A fault involving the engine, either oil pressure (too low), coolant temperature (too high), will always and immediately cause the engine to cut out and the alarm lamp H1 will light up.
- When the air outlet temperature is too high the alarm lamp H2 will light up. The alarm lamp will stay on, until the compressor has been restarted (start switch to position 3), or the contact is turned off (start switch to position 0; also when, due to cooling off, the thermocontact has closed again (= memory function)).

GENERATOR (OPTION)



Reference	Name
1	Sockets
2	Switch automatic control function
3	Switch generator function
4	Terminal earth cable

The built-in generator is driven by a multi V-belt drive. The generated current can be drawn via 3 sockets (see chapter **Technical specifications**). The generator is also equipped with an automatic control system to save fuel when no electric power is used. The compressor and the generator may be used simultaneously.



Before switching on the generator, always place the earth pin in position. Check the cable connection between earth pin and the GND-terminal on the unit.



Avoid high inductive loads (e.g. welding). High inductive loads can damage the generator.

Generator operation

Start the unit in accordance with the normal procedure. Let the motor warm up until it reaches operational temperature. Turn the generator switch (3) to position "1". The normal control system is switched off and the motor speed increases to reach the maximum. The green lamp in the switch is activated, showing that sockets are live.

Using switch (2) you can switch on the automatic control system. As soon as the generator is switched on, the automatic control system will continuously check for electric load in order to rev up the engine from idle to nominal speed only when needed. This saves fuel and reduces emissions. If a consumer is disconnected, the engine goes on for 60 secs. before falling back to idle speed.

With the current continuously monitored, a consumer having just been switched on is temporary disconnected from the generator to be re-connected as soon as the engine reaches nominal speed. This safety mechanism prevents load at too low speed.

Turning the generator switch (3) to position "0" cuts off the power from the sockets. The lamp in the switch is off.

Faults

In case of an overload or an earth fault the circuit breakers or earth fault relay will trip and the power to the sockets is turned off.

When this occurs, first disconnect the consumers from the sockets and manually reset the circuit breakers / earth fault relay in the electronic box.

Do not use the consumers connected previously before the cause of the fault is cleared.

Maintenance



Unauthorised modifications can result in injuries or machine damage.



Always keep the machine tidy to prevent fire hazard.



Poor maintenance can void any warranty claims.

The operator is only allowed to execute the daily maintenance. All other maintenance/repair is to be done by authorized personnel.

LIABILITY

The manufacturer does not accept any liability for any damage arising from the use of non-original parts and for modifications, additions or conversions made without the manufacturer's written approval.

DAILY MAINTENANCE COMPRESSOR BEFORE STARTING A JOB

Drain condensate and water from spillage-free frame	see Spillage-free frame
Empty air filter vacuator valves	see Air filter engine/compressor
Check engine oil level (if necessary top up)	see Engine oil level check
Check compressor oil level (if necessary top up)	see Compressor oil level check
Check coolant level	see Coolant level check
Check/Fill fuel level after a day's work	
Check air intake vacuum indicators	
Check on abnormal noise	
Check control panel	see Control panel

DAILY MAINTENANCE UNDERCARRIAGE BEFORE A ROADGOING JOB

Check towbar, handbrake lever, spring actuator, reversing lever, linkage and all movable parts for ease of movement	
Check coupling head for damage	
Check height of adjusting facility	see Height adjustment
Check tyre pressure	see Technical specifications
Check safety cable for damage	



For fluids to be used and their ordering numbers refer to the spare parts manual.

OIL



It is strongly recommended to use Atlas Copco branded lubrication oils for both compressor and engine. If you want to use another brand of oil, consult Atlas Copco.



Never mix synthetic with mineral oil.

OIL LEVEL CHECK



Never mix oils of different brands or types.

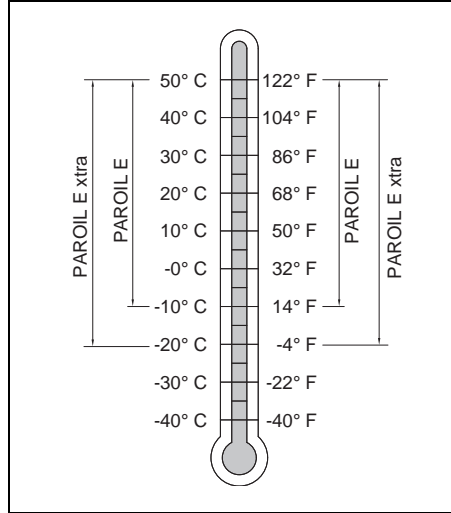
Use only non-toxic oils where there is a risk of inhaling delivered air.

Let the engine cool down for about 10 minutes. With the compressor standing level, check the level of the engine oil. Add oil, if necessary, up to the upper mark on the dipstick.

ENGINE OIL LEVEL CHECK

Check engine oil level in accordance to the instructions in the Engine Operation Manual and if necessary, top up with oil.

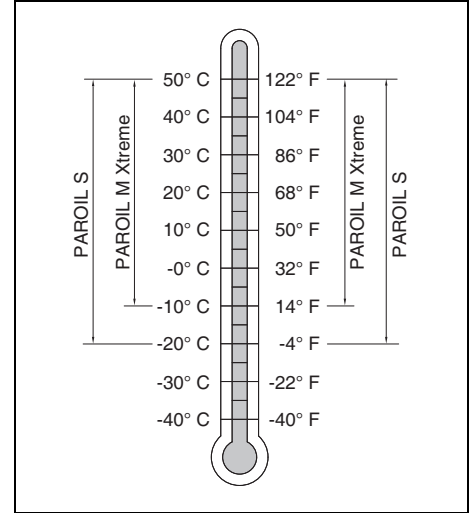
ENGINE OIL



Choose your engine oil based on the ambient temperatures in the actual operating area.

For ordering numbers refer to the spare parts list.

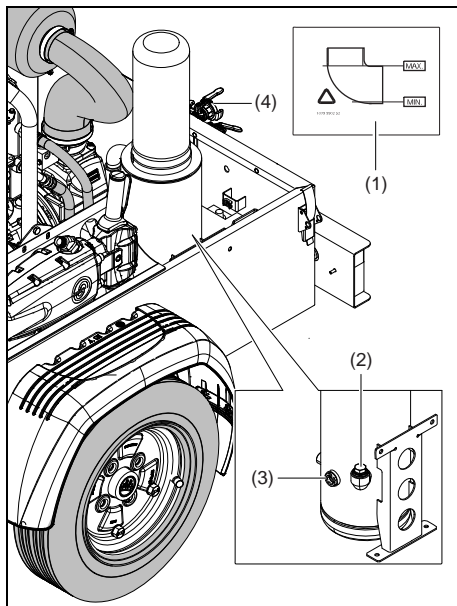
COMPRESSOR OIL



Choose your compressor oil based on the ambient temperatures in the actual operating area.

For ordering numbers refer to the spare parts list.

COMPRESSOR OIL LEVEL CHECK



DAILY CHECK

Check the compressor oil level daily, after running the compressor.



The compressor oil level needs to be checked with the compressor in an horizontal position after running the compressor to warm up so that the thermostatic valve is open.

1. Stop the compressor with closed air outlet valve (3) and let it rest for a short period, to allow the system to relief pressure inside the vessel and settle down the oil.
2. Check the oil level via the oil sight glass (1). The oil level must be in the upper half of the glass. If the oil level is too low, add oil via the oil filler plug (2).



Before removing the oil filler plug, ensure that the pressure is released by opening the air outlet valve (4) and checking the vessel pressure on the controller or the pressure gauge.

3. Top up with oil until the oil level is at the upper level as indicated on the label (1).
4. Reinstall and tighten the filler plug.

CHECK AFTER A LONGER PERIOD WITHOUT RUNNING THE COMPRESSOR

1. Check the oil level via the oil sight glass (3). The level must be in the upper half of the glass.
2. If the oil level is too low, remove the oil filler plug (2) and check if there is still oil in the vessel.
 - No oil in the vessel: Top up the compressor with oil until the oil level is at the upper level as indicated on the label and follow the steps as described above in **Daily check**.
 - Oil in the vessel: Start up the unit to warm up and give time for the thermostatic valve to open. Stop the compressor with closed outlet valve (4) and follow the steps described above in **Daily check**.



At temperatures below 0°C, you have to load the compressor to be sure that the compressor thermostat will be open.

COOLANT



It is strongly recommended to use Atlas Copco branded coolant.



Never mix different coolants and mix the coolant components outside the cooling system.

PARCOOL EG

PARCOOL EG is a ready to use Ethylene Glycol based coolant, premixed in an optimum 50/50 dilution ratio, for antifreeze protection guaranteed to -40°C (-40°F).

For ordering numbers refer to the spare parts list.

Liquid-cooled engines are factory-filled with this type of coolant mixture.

COOLANT LEVEL CHECK

- Check the coolant level at the level gauge on the radiator. If necessary top up with coolant. See section **Topping up of coolant**.
- Low coolant level can lead to engine overheating, and will eventually result in permanent engine damage.

TOPPING UP OF COOLANT



Never remove the cooling system filler cap while coolant is hot.

The system may be under pressure. Remove the cap slowly and only when coolant is at ambient temperature. A sudden release of pressure from a heated cooling system can result in personal injury from the splash of hot coolant.

- Always top-up with PARCOOL EG.
- Topping up the coolant with water only, changes the concentration of additives and is therefore not allowed.

BATTERY

RECHARGING A BATTERY

Before and after charging a battery, always check the electrolyte level in each cell; if required, top up with distilled water only. When charging batteries, each cell must be open, i.e. plugs and/or cover removed.



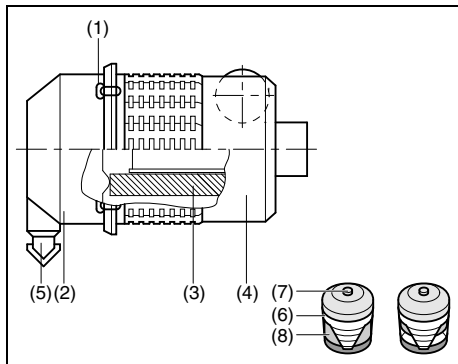
Use a commercial automatic battery charger in accordance with the manufacturer's instructions.

PERIODIC BATTERY SERVICE

- Keep the battery clean and dry.
- Keep the electrolyte level at 10 to 15 mm above the plates or at the indicated level; top up with distilled water only. Never overfill, as this will cause poor performance and excessive corrosion.

If doubtful conditions are noticed or malfunctions arise, keep in mind that the cause may be in the electrical system, e.g. loose terminals, voltage regulator maladjusted, poor performance of compressor, etc...

AIR FILTER ENGINE/COMPRESSOR



- | | |
|--------------------|---------------------|
| 1. Snap clips | 5. Vacuator valve |
| 2. Dust trap cover | 6. Vacuum indicator |
| 3. Filter element | 7. Reset button |
| 4. Filter housing | 8. Yellow indicator |

CLEANING THE DUST TRAP

To remove dust from the dust trap squeeze the vacuator valve (5) several times.

CLEANING

CLEANING COOLERS

Keep the coolers clean to maintain the cooling efficiency. Open the hood and clean the coolers with a fibre brush and compressed air.



Remove any dirt from the coolers with a fibre brush. Never use a wire brush or metal objects.

Steam cleaning in combination with a cleansing agent may be applied.



To avoid damaging the coolers, angle between jet and coolers should be approx. 90°.



Protect the electrical and controlling equipment, air filters, etc. against penetration of moisture.



Never leave spilled liquids such as fuel, oil, water and cleansing agents in or around the compressor.

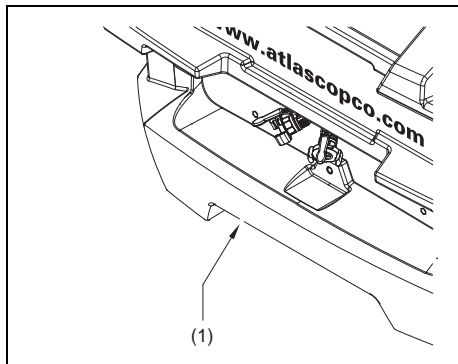
CLEANING HARDHAT

Optimal cleaning of the HardHat can be achieved by high pressure cleaning in combination with liquid soap.



Do not use water with a temperature >50°C (122°F).

SPILLAGE-FREE FRAME



The compressor is fitted with a leak-proof undercarriage in order to protect the environment.

Any leaking fluid is collected in case of malfunctions. This fluid can be removed via a drain (1), normally secured by caps.

Tighten the cap firmly and check for leakages.

Please observe the locally applicable environmental regulations when removing the leaked liquid.

STORAGE

Run the compressor regularly, e.g. twice a week, until warm.

Load and unload the compressor a few times to operate the unloading and regulating components. Close the air outlet valves after stopping.



If the compressor is going to be stored without running regularly, protective measures must be taken.

Contact Atlas Copco for correct measures.

OPTIONS

Multi-approved vessel

Standard the machine comes with a CE approved vessel. The multi approved vessel includes ASME, CRN, MOM, AS1210 and ML approval.

Additional fuel filter

When bad fuel quality is a risk, an additional fuel filter with water separator is recommended.

Safety cartridge

In case of highly polluted / dusty environments a safety cartridge is recommended. This gives extra protection in case of a rupture in the filter element.

Toolbox

A toolbox is located inside the bodywork above the battery and can be easily removed to access the battery below if required.

Non-return valve

A non-return valve can be installed between vessel and air outlet valves to prevent air of flowing back to the vessel when using pressurized equipment.

Cold weather equipment

With cold weather equipment we guarantee starting down to -20°C.

Problem solving

It is assumed that the engine is in good condition.



If it's not possible to solve the problem with this problem solving table, please consult Atlas Copco.

Problem	Possible faults	Corrective actions
1. Lamp does not light up when turning the start switch to position 1.	Discharged or defective battery.	Check electrolyte level and charge battery.
2. General alarm lamp does not light up when turning the start switch to position 2.	Lamp (H2) blown.	Consult authorized technician/Atlas Copco.
3. Engine does not start after turning (S1) to position 1.	<ul style="list-style-type: none"> a. Low battery output. b. Main switch is OFF. c. Fuel tank is empty. 	<ul style="list-style-type: none"> a. See remedy 1a. b. Switch main switch to ON. c. Refuel and prime fuel pump.
4. Starter motor cranks engine when turning start switch to position 3, but engine does not fire.	Low battery output.	See 1a.
5. Engine is running, but shuts down immediately after the start switch has been released.	<ul style="list-style-type: none"> a. Start switch (S1) released too soon. b. Insufficient engine oil pressure. c. Fuel tank contains insufficient fuel. 	<ul style="list-style-type: none"> a. Restart once. If the engine does not start, stop at once and consult authorized technician/Atlas Copco. b. Stop at once, consult authorized technician/Atlas Copco. c. Fill fuel tank.
6. General alarm lamp remains alight for over 5 seconds after starting.	<ul style="list-style-type: none"> a. Insufficient engine oil pressure or too high engine coolant temperature. b. Engine oil pressure switch, or compressor temperature switch defective. 	<ul style="list-style-type: none"> a. Stop at once, consult authorized technician/Atlas Copco. b. Stop at once, consult authorized technician/Atlas Copco.
7. Hour meter does not count running time.	Hour meter defective.	Consult authorized technician/Atlas Copco.

Problem	Possible faults	Corrective actions
8. Compressor capacity or pressure below normal.	Air consumption exceeds capacity of the compressor.	Check equipment connected.
9. Overheating; alarm lamp goes on.	a. Insufficient compressor cooling. b. Oil / coolant cooler clogged externally.	a. Relocate compressor. b. Clean cooler; see section Cleaning coolers .
10. Engine keeps running at maximum speed when closing the air outlet valves; safety valve blows.		Consult authorized technician/Atlas Copco.
11. Working pressure rises during operation and causes safety valve to blow.		Consult authorized technician/Atlas Copco.
12. Oil mist being discharged from air outlet valve(s).		Consult authorized technician/Atlas Copco.
13. Compressor shuts down without apparent cause.		Consult authorized technician/Atlas Copco.
14. Air and oil mist expelled from air filter after stopping.		Consult authorized technician/Atlas Copco.
15. No air output.		Consult authorized technician/Atlas Copco.
Generator (option)		
16. No voltage at sockets.	a. Generator not switched on. b. Circuit breakers are off.	a. Switch generator on. b. Switch on circuit breakers.
17. When an electrical device is connected, the circuit breakers switch off.	a. Electrical device is defective.	a. Have electrical device replaced or repaired.
18. Circuit breakers are off.	a. Short circuit or overload.	a. Remedy fault. Switch on circuit breakers.
19. Green lamp H3 is deactivated.	a. Circuit breakers are off. b. Serious electrical fault.	a. Switch on circuit breakers. b. Consult Atlas Copco.

Technical specifications

COMPRESSOR / ENGINE SPECIFICATIONS

REFERENCE CONDITIONS

Designation		XAHS 38 Kd	XAS 58 Kd	XAS 68 Kd	XAS 48 G Kd	XATS 68 Kd	XAS 78 Kd	XAS 88 Kd	XAS 68 G Kd
Absolute inlet pressure	bar	1	1	1	1	1	1	1	1
	psi	14.5	14.5	14.5	14.5	14.5	14.5	14.5	14.5
Relative air humidity	%	0	0	0	0	0	0	0	0
Air inlet temperature	°C	20	20	20	20	20	20	20	20
	°F	68	68	68	68	68	68	68	68
Nominal effective working pressure	bar	12	7	7	7	10.3	7	7	7
	psi	175	100	100	100	150	100	100	100

The inlet conditions are specified at the air inlet grating outside the canopy.

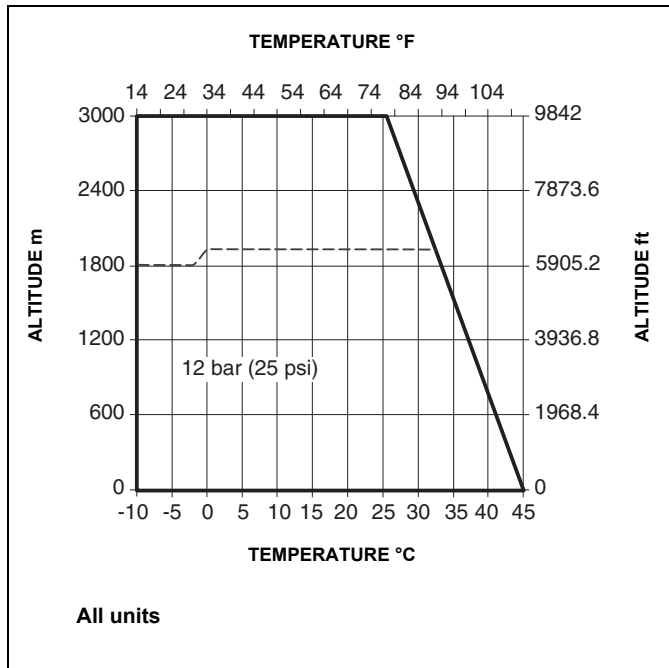
LIMITATIONS

Designation		XAHS 38 Kd	XAS 58 Kd	XAS 68 Kd	XAS 48 G Kd
Minimum effective receiver pressure	bar	2	2	2	2
	psi	30	30	30	30
Maximum effective receiver pressure, compressor unloaded	bar	13.5	8.8	8.8	8.8
	psi	200	125	125	125
Maximum ambient temperature at sea level	without aftercooler	°C	50	50	50
		°F	122	122	122
	with aftercooler	°C	45	45	45
		°F	113	113	113
Minimum starting temperature	°C	-10	-10	-10	-10
	°F	14	14	14	14
Minimum starting temperature, with coldstart equipment	°C	-20	-20	-20	-20
	°F	-4	-4	-4	-4

Designation		XATS 68 Kd	XAS 78 Kd	XAS 88 Kd	XAS 68 G Kd
Minimum effective receiver pressure	bar	2	2	2	2
	psi	30	30	30	30
Maximum effective receiver pressure, compressor unloaded	bar	13.5	8.8	8.8	8.8
	psi	200	125	125	125
Maximum ambient temperature at sea level	without aftercooler	°C	50	50	50
		°F	122	122	122
	with aftercooler	°C	45	45	45
		°F	113	113	113
Minimum starting temperature	°C	-10	-10	-10	-10
	°F	14	14	14	14
Minimum starting temperature, with coldstart equipment	°C	-20	-20	-20	-20
	°F	-4	-4	-4	-4

ALTITUDE UNIT PERFORMANCE CURVES

Max. allowable working pressure as a function altitude and ambient temperature.



Graphic represents working conditions, for starting conditions please contact your Atlas Copco contact.

PERFORMANCE DATA

At reference conditions, if applicable, and at normal shaft speed, unless otherwise stated.

Designation		XAHS 38 Kd	XAS 58 Kd	XAS 68 Kd	XAS 48 G Kd		
Engine shaft speed, normal and maximum	r/min	3000	3000	3000	3000		
Engine shaft speed, compressor unloaded	r/min	1850	1850	1850	1850		
Free air delivery ¹⁾	without aftercooler	l/s	33	50	58	42	
		m ³ /min	2.0	3.0	3.5	2.5	
		cfm	80	120	135	90	
	with aftercooler	l/s	32	49	57	40	
		m ³ /min	1.9	2.9	3.4	2.4	
		cfm	77	117	132	87	
Fuel consumption	- at 100% FAD	kg/h	6.44	6.44	6.44	6.44	
		lb/h	14.2	14.2	14.2	14.2	
	- at 75% FAD	kg/h	5.23	5.23	5.23	5.23	
		lb/h	11.5	11.5	11.5	11.5	
	- at 50% FAD	kg/h	3.87	3.87	3.87	3.87	
		lb/h	8.5	8.5	8.5	8.5	
	- at 25% FAD	kg/h	3.51	3.51	3.51	3.51	
		lb/h	8.5	8.5	8.5	8.5	
	- at unload	kg/h	2.57	2.57	2.57	2.57	
		lb/h	5.7	5.7	5.7	5.7	
	Specific fuel consumption	- at 100% FAD	g/m ³	29.9	29.9	29.9	29.9
			lb/1000 cu.ft	1.9	1.9	1.9	1.9
	Engine oil consumption (maximum)		g/h	17	17	17	17
			oz/h	0.6	0.6	0.6	0.6

Designation			XAHS 38 Kd	XAS 58 Kd	XAS 68 Kd	XAS 48 G Kd
Compressed air temperature at outlet valves	without aftercooler	°C	58.5	58.5	58.5	58.5
		°F	138	138	138	138
	with aftercooler	°C	35	35	35	35
		°F	95	95	95	95
- Sound pressure level (Lp), measured according to ISO 2151 under free field conditions at 7 m distance		dB(A)	70	70	70	70
- Sound power level (Lw) complies with 2000/14/EC		dB(A)	98	98	98	98

Designation			XATS 68 Kd	XAS 78 Kd	XAS 88 Kd	XAS 68 G Kd
Engine shaft speed, normal and maximum		r/min	3000	3000	3000	3000
Engine shaft speed, compressor unloaded		r/min	1850	1850	1850	1850
Free air delivery ¹⁾	without aftercooler	l/s	58	75	83	58
		m ³ /min	3.5	4.5	5.0	3.5
		cfm	135	160	175	135
	with aftercooler	l/s	57	74	82	57
		m ³ /min	3.4	4.4	4.9	3.4
		cfm	132	158	173	132
Fuel consumption	- at 100% FAD	kg/h	6.44	6.44	6.44	6.44
		lb/h	14.2	14.2	14.2	14.2
	- at 75% FAD	kg/h	5.23	5.23	5.23	5.23
		lb/h	11.5	11.5	11.5	11.5
	- at 50% FAD	kg/h	3.87	3.87	3.87	3.87
		lb/h	8.5	8.5	8.5	8.5
	- at 25% FAD	kg/h	3.51	3.51	3.51	3.51
		lb/h	8.5	8.5	8.5	8.5
	- at unload	kg/h	2.57	2.57	2.57	2.57
		lb/h	5.7	5.7	5.7	5.7

Designation			XATS 68 Kd	XAS 78 Kd	XAS 88 Kd	XAS 68 G Kd
Specific fuel consumption	- at 100% FAD	g/m ³	29.9	29.9	29.9	29.9
		lb/1000 cu.ft	1.9	1.9	1.9	1.9
Engine oil consumption (maximum)		g/h	17	17	17	17
		oz/h	0.6	0.6	0.6	0.6
Compressed air temperature at outlet valves	without aftercooler	°C	58.5	58.5	58.5	58.5
		°F	138	138	138	138
	with aftercooler	°C	35	35	35	35
		°F	95	95	95	95
- Sound pressure level (Lp), measured according to ISO 2151 under free field conditions at 7 m distance		dB(A)	70	70	70	70
- Sound power level (Lw) complies with 2000/14/EC		dB(A)	98	98	98	98

DESIGN DATA

Compressor

Number of compression stages: 1

Engine

Designation		XAHS 38 Kd	XAS 58 Kd	XAS 68 Kd	XAS 48 G Kd	XATS 68 Kd	XAS 78 Kd	XAS 88 Kd	XAS 68 G Kd
Make		Kubota	Kubota	Kubota	Kubota	Kubota	Kubota	Kubota	Kubota
Type		V1505	V1505	V1505	V1505-T*	V1505-T	V1505-T	V1505-T	V1505-T
Coolant		Liquid	Liquid	Liquid	Liquid	Liquid	Liquid	Liquid	Liquid
Number of cylinders		4	4	4	4	4	4	4	4
Bore	mm	78	78	78	78	78	78	78	78
	in	3.07	3.07	3.07	3.07	3.07	3.07	3.07	3.07
Stroke	mm	78.4	78.4	78.4	78.4	78.4	78.4	78.4	78.4
	in	3.09	3.09	3.09	3.09	3.09	3.09	3.09	3.09
Swept volume	l	1.498	1.498	1.498	1.498	1.498	1.498	1.498	1.498
	cu in	91.4	91.4	91.4	91.4	91.4	91.4	91.4	91.4
Output according to ISO 9249 G at normal shaft speed	kW	26.5	26.5	26.5	33	33	33	33	33
	BHP	36	36	36	45	45	45	45	45
- Load factor	%	100	100	100	100	100	100	100	100
Capacity of oil sump:									
- Refill (max.) with filter change	l	5.5	5.5	5.5	5.5	5.5	5.5	5.5	5.5
	US gal	1.5	1.5	1.5	1.5	1.5	1.5	1.5	1.5
Capacity of cooling system	l	7.2	7.2	7.2	7.2	7.2	7.2	7.2	7.2
	US gal	1.9	1.9	1.9	1.9	1.9	1.9	1.9	1.9

* V1505: 6 kVA generator
 V1505-T: 12 kVA generator

Unit

Designation		All units
Capacity of compressor oil system	l	7.7
	US gal	2.0
Net capacity of air receiver	l	16.7
	US gal	4.4
Capacity of fuel tank	l	60
	US gal	16
Air volume at inlet grating (approx.) ¹⁾	m ³ /s	0.93
	cuft/s	32.8

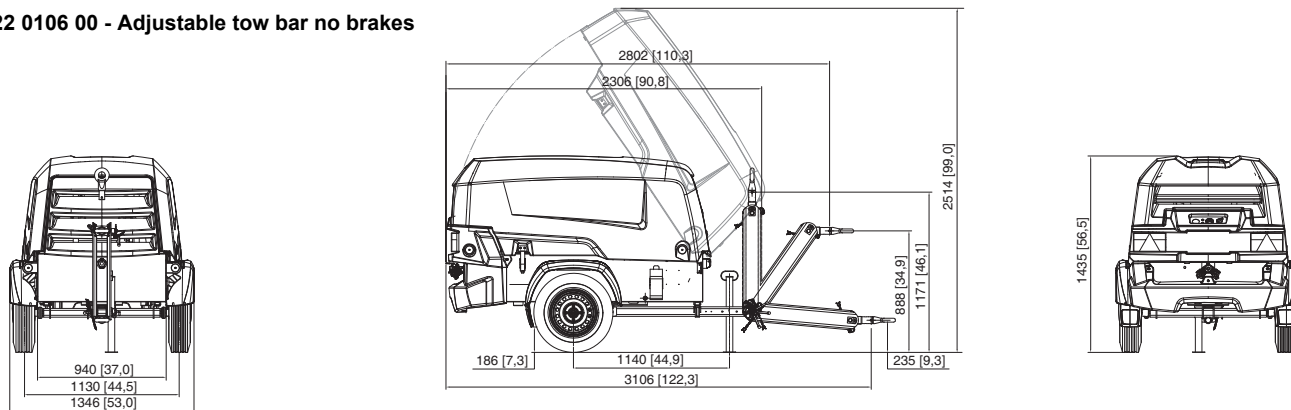
¹⁾ Air required for engine and compressor cooling, for combustion and for compression.

Alternator

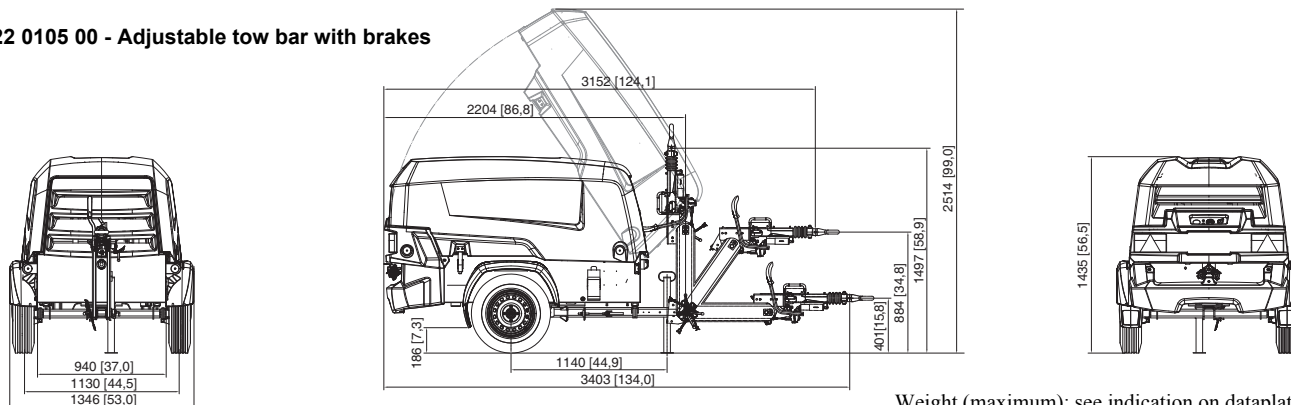
		XAS 48 G + XAS 68 G			
Voltage AC	V	110	230/400		230/400
Rated output	kVA	6	6		12
Model		S16F	T16F		T20FS
Protection		Earth fault relay	Earth fault relay	IT relay	Earth fault relay IT relay
Sockets		1x 110V/1ph/32A 2x 110V/1ph/16A	1x 400V/3ph/10A 2x 230V/1ph/10A		2x 400V/3ph/16A 1x 230V/1ph/16A
Protection rating	IP	23			
Standard		IEC 34-1			

DIMENSIONS

9822 0106 00 - Adjustable tow bar no brakes

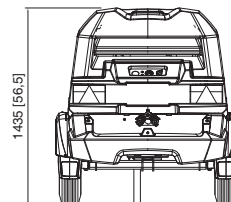
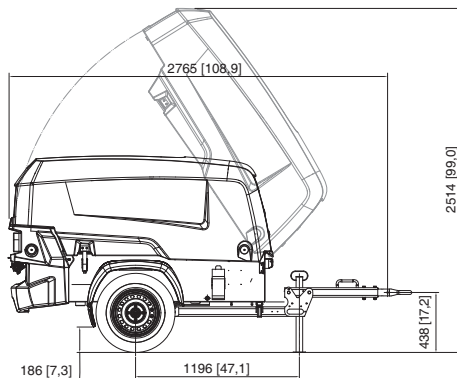
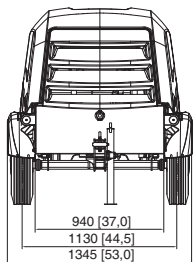


9822 0105 00 - Adjustable tow bar with brakes

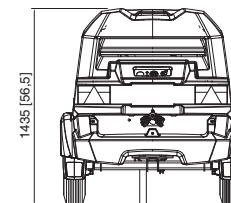
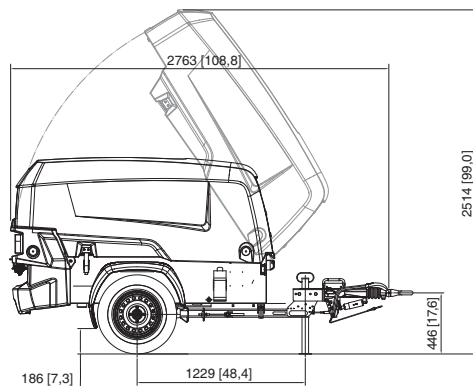
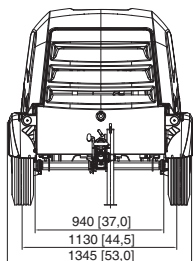


Weight (maximum): see indication on dataplate

9822 0109 00 - Fixed tow bar no brakes

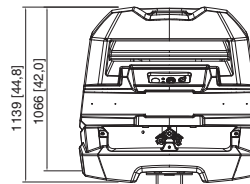
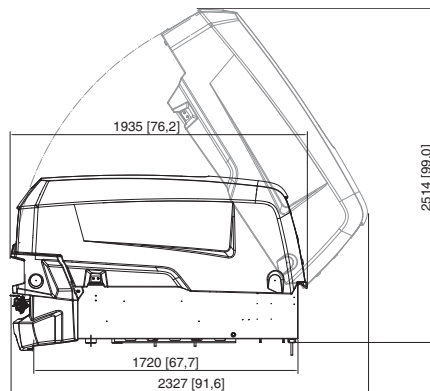
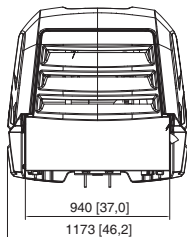


9822 0108 00 - Fixed tow bar with brakes

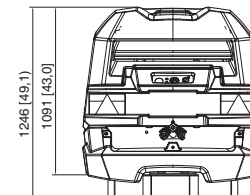
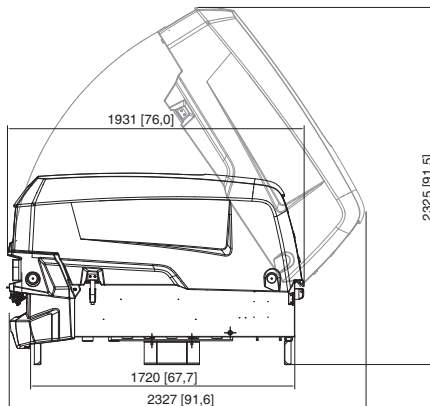
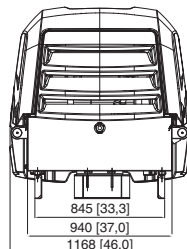


Weight (maximum): see indication on dataplate

9822 0107 00 - Box

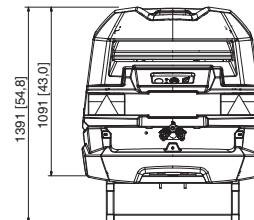
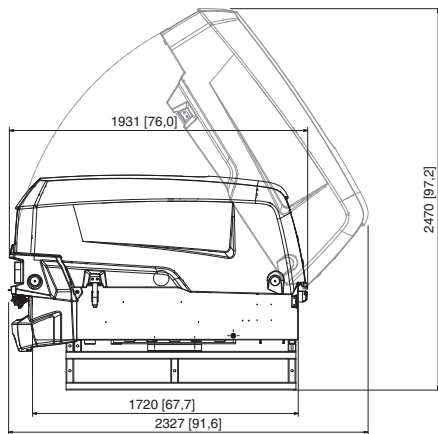
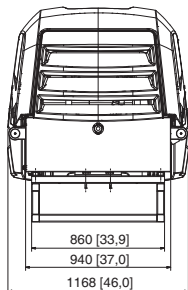


9822 0110 00 - Support mounted



Weight (maximum): see indication on dataplate

9822 0122 00 - Extended support mounted



Weight (maximum): see indication on dataplate

Dataplate

Weight

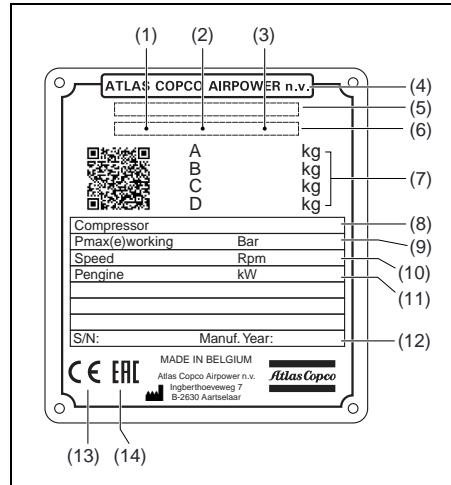
Weight ready to operate	see dataplate
-------------------------	---------------

Air outlet

Air outlet valves	3 x 3/4
-------------------	---------

Wheels

Tyre pressure	bar	2.7
	psi	39
Wheel bolt torque	Nm	85
	lbf.ft	63



- 1 Company code
- 2 Product code
- 3 Unit serial number
- 4 Name of the manufacturer
- 5 EEC or national type approval number
- 6 Vehicle identification number
- 7 Undercarriage
- A** Maximum permitted total weight of the vehicle
- B** Maximum permitted load on the towing eye
- C** Maximum permitted load on axle (or front axle on dual axle units)
- D** Maximum permitted load on rear axle (on dual axle units)
- 8 Model
- 9 Working pressure
- 10 Speed
- 11 Engine power
- 12 Manufacturing year
- 13 CE mark in accordance with Machine Directive 89/392 EC
- 14 Register number or number of notified body

Disposal

GENERAL

When developing products and services, Atlas Copco tries to understand, address, and minimize the negative environmental effects that the products and services may have, when being manufactured, distributed, used and disposed.

Recycling and disposal policy are part of the development of all Atlas Copco products. Atlas Copco company standards determine strict requirements.

Material selection, substantial recyclability, disassembly possibilities and separability of materials and assemblies are considered, as well as environmental perils and dangers to health during the recycling and disposal of the unavoidable rates of non-recyclable materials.

Your Atlas Copco compressor consists for the most part of metallic materials, that can be remelted in steelworks and smelting works and are therefore almost infinitely recyclable. The plastic used is labelled; sorting and fractioning of the materials for recycling in the future is foreseen.



This concept can only succeed with your help. Support us by disposing professionally. By assuring correct disposal of the product you help prevent possible negative consequences for environment and health as a result of inappropriate waste handling.

Recycling and re-usage of material help preserve natural resources.

DISPOSAL OF MATERIALS

Dispose of contaminated substances and material separately, in accordance with locally applicable environmental legislation.

Before dismantling a machine at the end of its operating lifetime drain and dispose of all fluids of according the applicable local disposal regulations.

Remove the batteries. Do not throw batteries into the fire (explosion risk) or residual waste. Separate the machine into metal, electronics, wiring, hoses, insulation and plastic parts.

Dispose of all components in accordance with applicable disposal regulations.

Remove spilled fluid mechanically; pick up the rest using an absorbing agent (for example sand, sawdust) and dispose of it in accordance with applicable local disposal regulations. Do not drain into the sewage system or surface water.

Maintenance Log

Compressor Customer

Serial number

Service hours	Maintenance action	Date	By: initials

Service hours	Maintenance action	Date	By: initials

Service hours	Maintenance action	Date	By: initials

Service hours	Maintenance action	Date	By: initials



Following documents are provided with this unit:

- Test Certificate
- EC Declaration of Conformity:

Atlas Copco

EC DECLARATION OF CONFORMITY

1

2 We, Atlas Copco Airpower n.v., declare under our sole responsibility, that the product

3 Machine name : **Compressor (< 350 kW)**

4 Commercial name :

5 Serial number :

6 Which falls under the provisions of article 12.2 of the EC Directive 2006/42/EC on the approximation of the laws of the Member States relating to machinery, is in conformity with the relevant Essential Health and Safety Requirements of this directive.

The machinery complies also with the requirements of the following directives and their amendments as indicated.

7

Directive on the approximation of laws of the Member States relating to	Harmonized and/or Technical Standards used	Att'ment
8 Pressure equipment	97/23/EC	X
9 Machinery safety	2006/42/EC EN ISO 12100-1 EN ISO 12100-2 EN 1012-1	
10 Simple pressure vessel	87/404/EEC	X
11 Electromagnetic compatibility	2004/108/EC EN 61000-6-2 EN 61000-6-4	
12 Low voltage equipment	2006/95/EC EN 60034 EN 60204-1 EN 60439	
13 Outdoor noise emission	2000/14/EC ISO 3744	X

14 The harmonized and the technical standards used are identified in the attachments hereafter

15 Atlas Copco Airpower n.v. is authorized to compile the technical file

16

17 **Conformity of the specification to the Directives** **Conformity of the product to the specification and by implication to the directives**

18 Issued by Product engineering Manufacturing

19 Name

20 Signature

21 Place , Date

22

23

24

25

26

27

28

29

30

31

32

33

34

35

36

37

38

39

40

41

42

43

44

45

46

47

48

49

50

51

52

53

54

55

56

57

58

59

60

61

62

63

64

65

66

67

68

69

70

71

72

73

74

75

76

77

78

79

80

81

82

83

84

85

86

87

88

89

90

91

92

93

94

95

96

97

98

99

100

Atlas Copco Airpower n.v. A company within the Atlas Copco Group

Postal address Visitors address Phone: +32 (0)3 870 21 11 Com. Reg. Antwerp 44651

P.O. Box 100 Boornsteemweg 957 Fax: +32 (0)3 870 24 43 V.A.T. 403.992.231

B-2610 Winge-Antwerp B-2610 Winge-Antwerp

Belgium Belgium For info, please contact your local Atlas Copco representative

www.atlascopco.com p.1(1)

