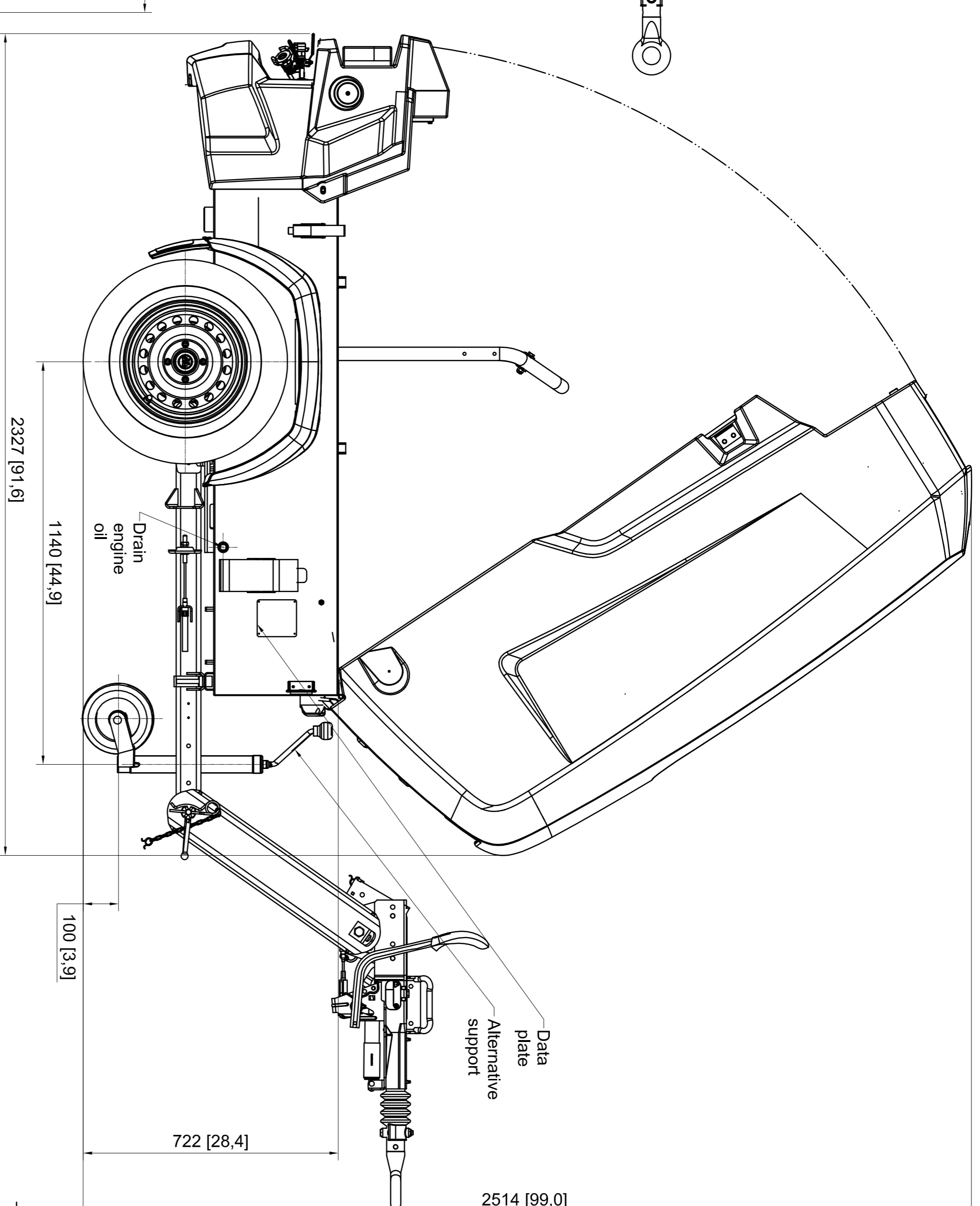
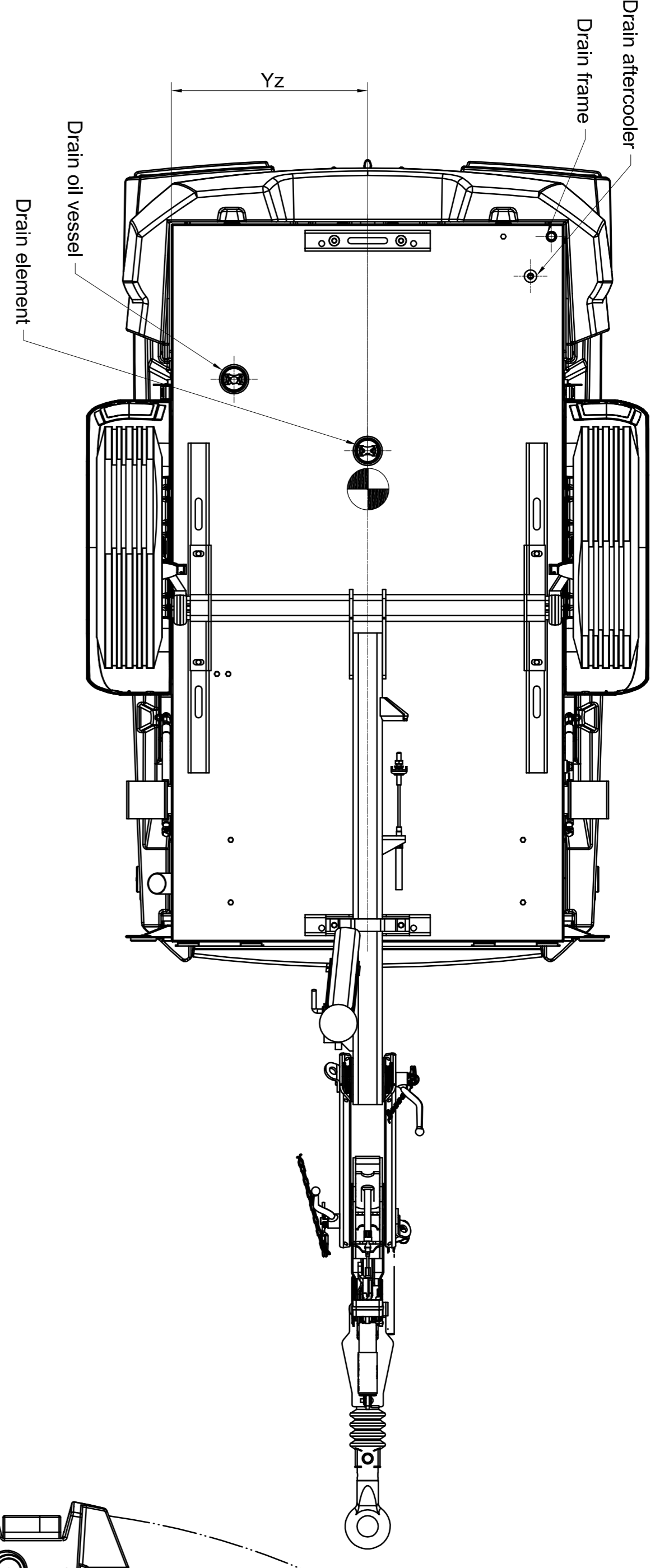
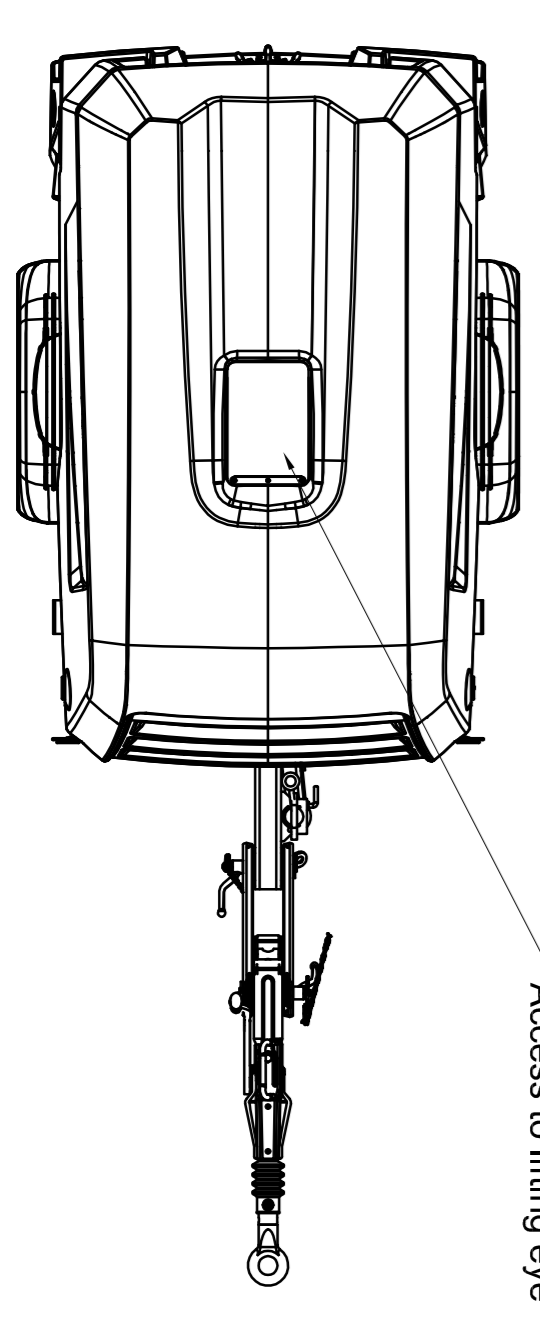
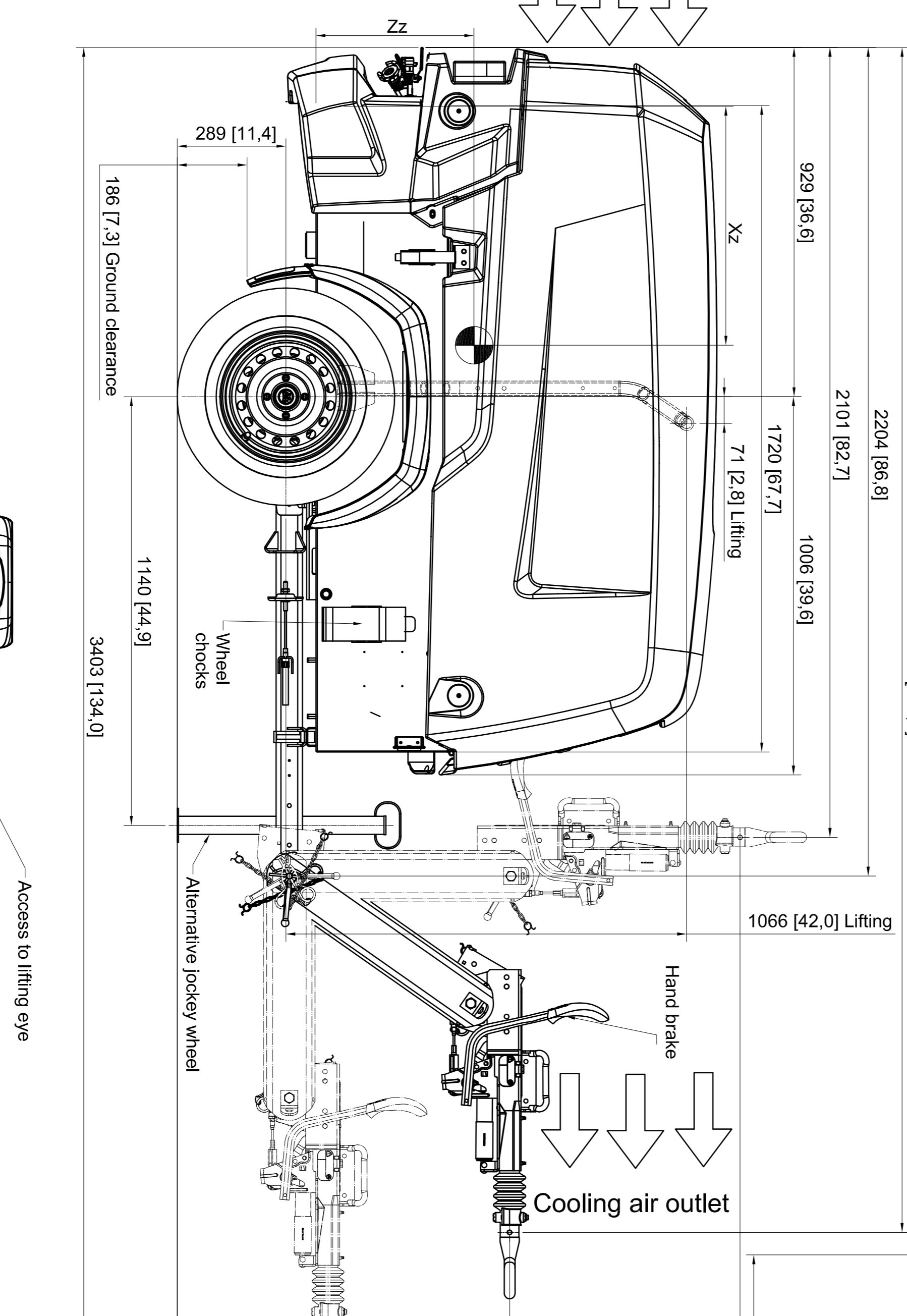
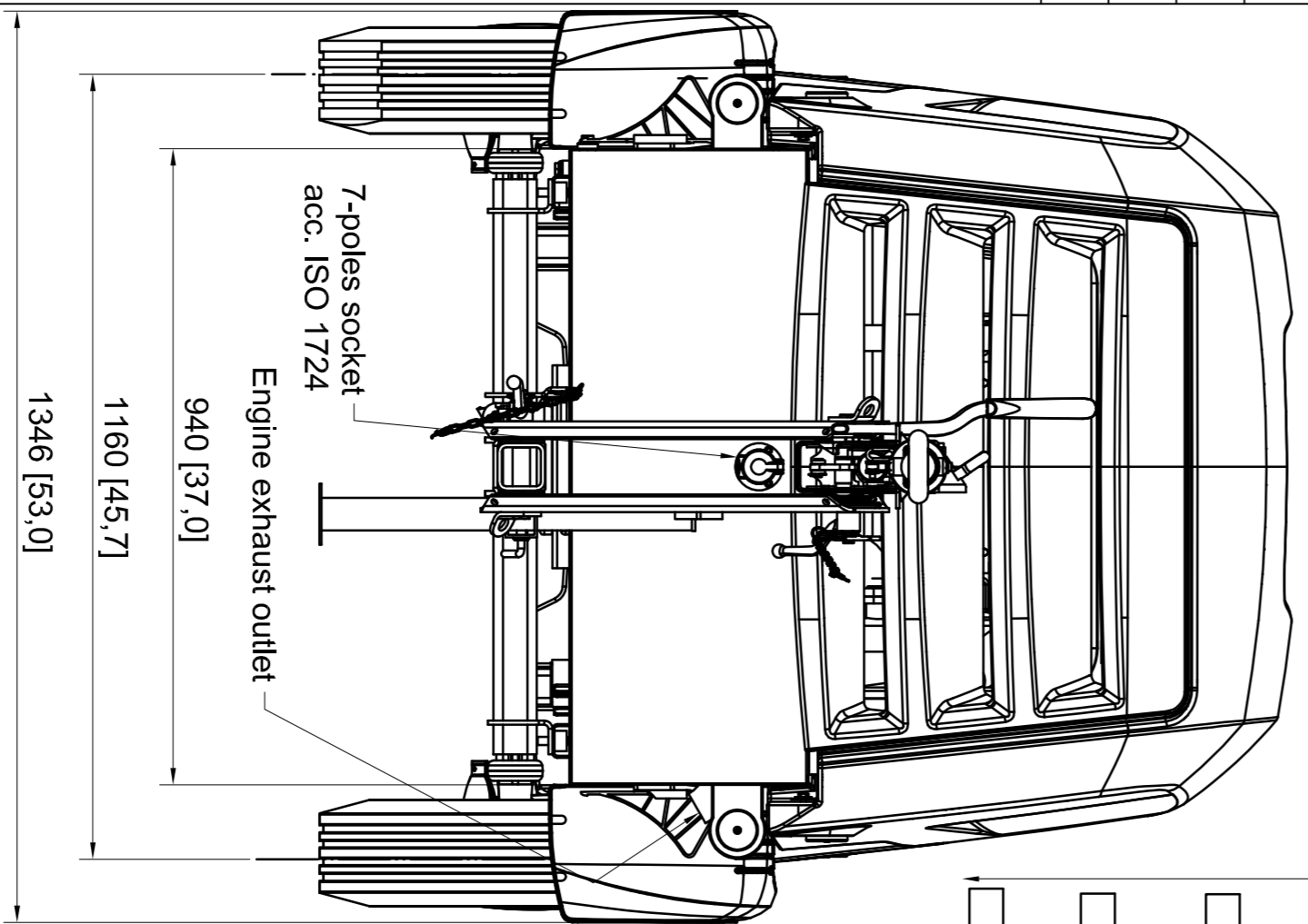


00.03	2016-06-06	2016-06-06	2016-06-06
Rev.	Date	Issue	Rev./Appr.



Net Mass	Xz		Yz		Zz		Wet Mass		Xz		Yz		Zz		
	mm / [inches]	mm / [inches]	mm / [inches]	mm / [inches]	mm / [inches]	mm / [inches]	Kg/Lbs	Kg/Lbs	mm / [inches]	mm / [inches]	mm / [inches]	mm / [inches]	mm / [inches]	mm / [inches]	
Kg/Lbs	895 / [35,23]	-28 / [-1,1]	287 / [11,3]	1647	888 / [35]	-2 / [-0,078]	676 / 1491	36,23	895 / [35,23]	-28 / [-1,1]	287 / [11,3]	1647	888 / [35]	-2 / [-0,078]	676 / 1491

NOTE:  
 - Dimensions in brackets [ ] are in inches.  
 - Wet mass = with oil, water, fuel and dry batteries.

Type	XAS 68 Kd
Commercial Name	XAS 88 Kd
Total Max. Weight	
Max. Load on Axle	
Max. Permissible Axle Load	

Prepared for industrial use by: ATLAS COPCO STAMPAZIONI/Service/Class	
Name	DIEMENS DRING
Material	SEE DRAWING
Treatment	See Drawing
Scale	1:10
Drawn by	harelka
Checked by	blava sk.
Drawn date	0
Checked date	0
Drawn sheet	0
Checked sheet	0
Drawn date	2016-05-18
Checked date	0
Drawn sheet	02
Checked sheet	01

9822 0105 00

CONFIDENTIAL:

This document is our property and shall not without our permission be altered, copied, used for manufacturing or communicated to any other person or company.

0001	2016-05-18	
Rev.	Date	Ver./Appt.
Modific. from		

Ball coupling type: ZKB 1,7-1 approval nr: E4-55R-010132 class: B50-X	D: 15,8 KN S: 170 Kg U: N.A. V: N.A.		Towing eye BNA type: Zugöse 68 approval nr: E1-55R-012355 class: S	D: 30,95 KN S: 150 Kg U: N.A. V: N.A.	
Towing eye A.C. type: Zugöse 77,0-02 approval nr: E1-55R-012352 class: S	D: 18,47 KN S: 100 Kg U: N.A. V: N.A.		Towing eye ITA type: Zugöse 45,0-05 approval nr: E1-55R-012351 class: S	D: 18,46 KN S: 100 Kg U: N.A. V: N.A.	
Towing eye NATO type: Zugöse 76 approval nr: E1-55R-012170 class: S	D: 26,9 KN S: 300 Kg U: N.A. V: N.A.		Towing eye GB type: Zugöse 50,8-03 approval nr: E1-55R-012350 class: S	D: 18,47 KN S: 100 Kg U: N.A. V: N.A.	
Towing eye DIN type: Zugöse 40 approval nr: E1-55R-012169 class: S	D: 26,9 KN S: 300 Kg U: N.A. V: N.A.				

Tyres - paragraph 6.6.1	Rolling radius(mm)-par 6.6.2	Pressure (Kpa)-par 6.6.3
1 155/80R13 TL	79 T	250
2 155R13C	85/83 N	350
3 155R13 TL	80 N	282
4 165R13C	96/94 N	443
5 165R13C	94/92 N	450
6 165R13C	94 Q	380
7 5.00-10 4PR	72 N	276

Material not defined according to:

ATLAS COPCO STANDARDS/Class

Name: DIMENS. DRWG

Material: SEE DRAWING

Treatment: See Drawing

Scale: 1:5

Drawn by: **Atlan Opaco**

Checked by: **Atlan Opaco**

Version: 00.01

Dis. checked:

Print checked:

Approved:

Date: 2016-05-18

Designation: 9822 0105 00

Sheet ( ) of 03

Drawn over: AJP

All materials supplied are in compliance with the requirements of the List of Prohibited Substances